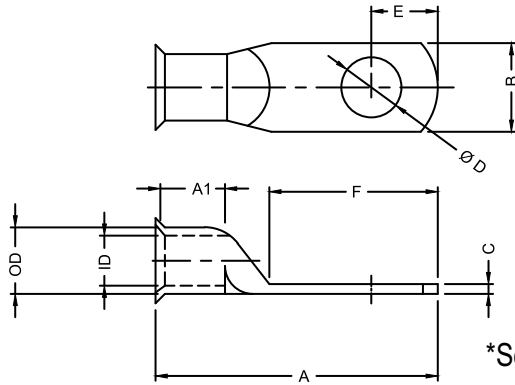


### TIN PLATED COPPER LUGS

- \* Manufactured seamless pure electrolytic grade copper.
- \* Used for crimp or solder style.
- \* For copper conductors only.
- \* Suitable for application upto 35KVA .
- \* Rated 600 volts / 194° F.
- \* UL 486A listed.



\*See table for dimension.

- 100% pure copper for superior conductivity
- Tin Plated for maximum corrosion prevention (Excellent for marine applications and longer life)
- Flared ends for easy wire insertion
- Closed-type
- Available in packs of 20 & 2