

Part number

TMAP 16.32



Surface mounting housing, T-TYPE series, with 2 levers, M32 cable entry, size "77.27"

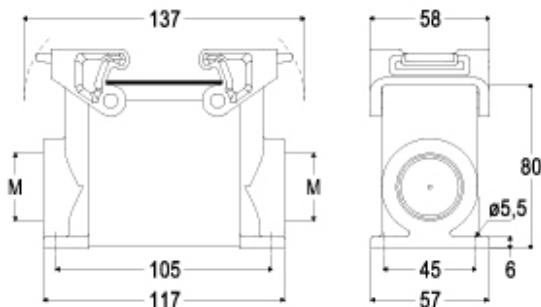
Product description	
Product type	Surface mounting housing
Series	T-TYPE
Closing type	With 2 levers
Size	Size 77.27
Cable entry	With cable entry M32
Technical data	
IP degree of protection	IP65
Further technical details	
Weight	207,00 g
Operating temperature range (min, max)	-40°C ... +90°C

Material properties	
Main material	Polypropylene (PP)
Other materials	Lever: Polyamide (PA) Gasket: polyurethane (PUR)
Colour	RAL 7012 grey, RAL 7001 grey
RoHs conformity	Compliant
China RoHs - EFUP	E
REACH SVHC substances	No
Approvals / Standards	
UL	ECBT2
cUL	ECBT8
General ordering information	
EAN13 code	8015747168618
eCl@ss 8.1	27440202
ETIM 7.0	EC000437

Part number

TMAP 16.32

Catalogue drawings



Notes

Dimensions shown in mm are not binding and may be changed without notice.