

Part number

TMAO 16.40



Hood, T-TYPE series, with 4 pegs, M40 side cable entry, size "77.27"

Product description

Product type	Hood
Series	T-TYPE
Closing type	With 4 pegs
Size	Size 77.27
Cable entry	Side cable entry M40

Technical data

IP degree of protection	IP65
Further technical details	
Weight	120,00 g
Operating temperature range (min, max)	-40°C ... +90°C

Material properties

Main material	Polypropylene (PP)
Colour	RAL 7012 grey
RoHs conformity	Compliant
China RoHs - EFUP	E
REACH SVHC substances	No

Approvals / Standards

UL	ECBT2
cUL	ECBT8

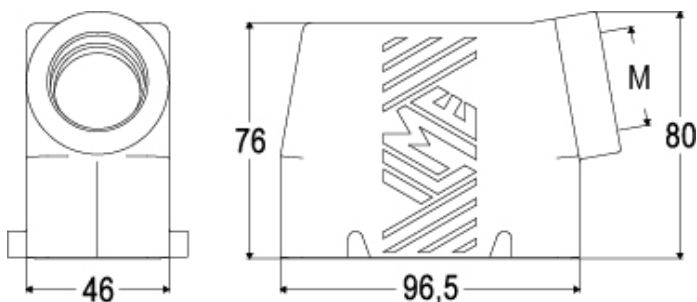
General ordering information

EAN13 code	8015747168700
eCl@ss 8.1	27440202
ETIM 7.0	EC000437

Part number

TMAO 16.40

Catalogue drawings



Notes

Dimensions shown in mm are not binding and may be changed without notice.