

Part number

# TMAO 16.32



Hood, T-TYPE series, with 4 pegs, M32 side cable entry, size "77.27"

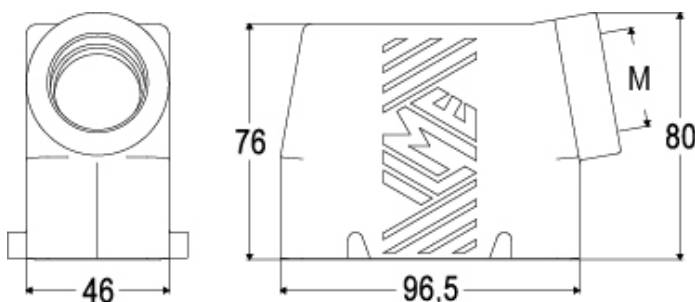
Product description	
<b>Product type</b>	Hood
<b>Series</b>	T-TYPE
<b>Closing type</b>	With 4 pegs
<b>Size</b>	Size 77.27
<b>Cable entry</b>	Side cable entry M32
Technical data	
<b>IP degree of protection</b>	IP65
Further technical details	
<b>Weight</b>	130,00 g
<b>Operating temperature range (min, max)</b>	-40°C ... +90°C

Material properties	
<b>Main material</b>	Polypropylene (PP)
<b>Colour</b>	RAL 7012 grey
<b>RoHs conformity</b>	Compliant
<b>China RoHs - EFUP</b>	E
<b>REACH SVHC substances</b>	No
Approvals / Standards	
<b>UL</b>	ECBT2
<b>cUL</b>	ECBT8
General ordering information	
<b>EAN13 code</b>	8015747168694
<b>eCl@ss 8.1</b>	27440202
<b>ETIM 7.0</b>	EC000437

Part number

# TMAO 16.32

Catalogue drawings



## Notes

Dimensions shown in mm are not binding and may be changed without notice.