



Saves Your Energy

PRODUCT CARD

19.6.2013

# SPCP131810T.U

Name: **Cubo S enclosure**  
Size 125 x 175 x 100 mm, 50 mm base, plain sides, transparent cover, PC  
Type: SPCP131810T.U  
EAN: 6438100116415  
Description: Ensto Cubo S is a series of small to medium size enclosures available with knockouts or plain sides. The base of the enclosures is equipped with unique slots for printed circuit boards.  
Package: 19  
Unit: PCS



## Technical specification

Operating temperature (°C): - 40 °C... +80 °C  
Short term temperature range: - 40 °C... +120 °C  
Colour: RAL 7035  
Content: Enclosure base, cover, cover screws, mounting screws  
Material, base: Fiberglass reinforced polycarbonate  
Material, cover: Polycarbonate  
Material, cover screws: Polyamide  
Material, gasket: Polyurethane  
Weight (kg): 0,465  
Inner depth (mm): 85,5  
Outer base depth (mm): 50  
Outer cover height (mm): 50  
Size (mm): 125 x 175 x 100  
Degree of protection: IP 66, IP 67  
Environmental type UL: 4, 4X, 6, 12, 13  
Flammability rating: UL 746C 5V  
Impact strength: IK 08  
Standard: EN 62208, UL 508A, GOST  
UL File no.: E189312  
UL category: NITW

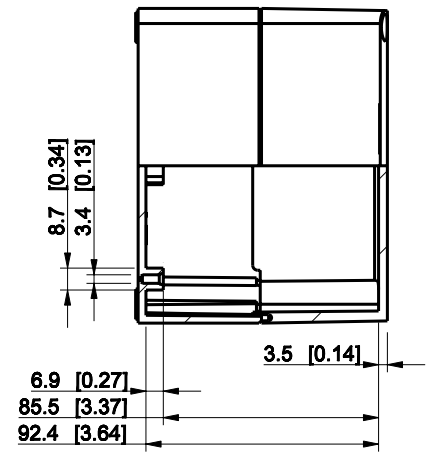
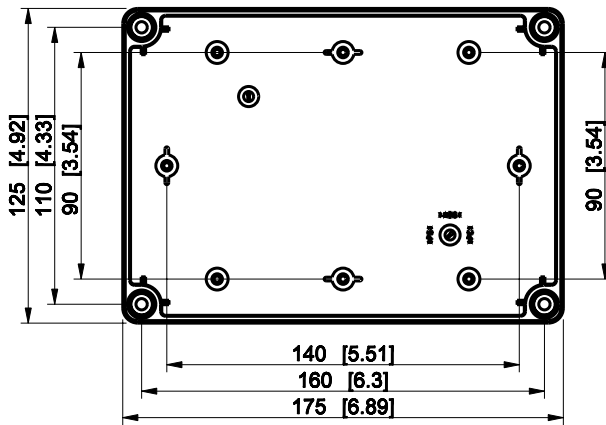
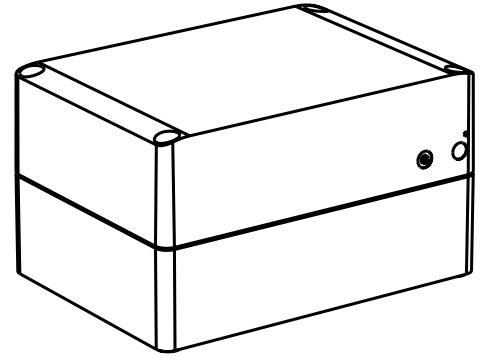
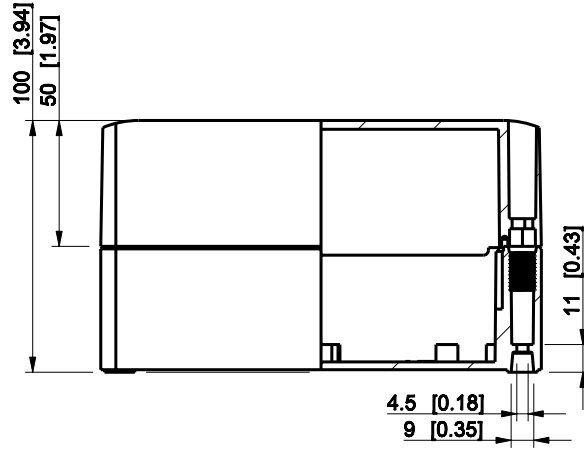
Ensto Finland Oy

Ensio Miettisen katu 2  
P.O.Box 77  
06101 Porvoo, Finland

Tel. +358 204 76 21  
Fax +358 204 76 2516

[www.ensto.com](http://www.ensto.com)

ID	Description	Date	By	Appr.
A				

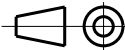


Dimensions in mm [inches]

Material: Polycarbonate, fiberglass-reinforced	Color: RAL 7035
--	-----------------

Supplier:	Tool No:	Weight [kg]: 0.42	Volume:
-----------	----------	-------------------	---------

**ENSTO**  
ENSTO CONTROL OY



**SPCP131810T**

Scale	Date	08.12.08
1:3	By	PKos
-	Checked	
-	Ctrl	

Replaces:	
Replaced:	
Drw No:	- A
Ref:	Cubo S
Code:	SPCP131810T
Sheet No:	

model SPCP131810T PART

drawing CUBOS DRAWING