



Saves Your Energy

PRODUCT CARD

19.6.2013

SPCP131810G.U

Name: **Cubo S enclosure**
Size 125 x 175 x 100 mm, 50 mm base, plain sides, grey cover, PC

Type: SPCP131810G.U

EAN: 6438100116040

Description: Ensto Cubo S is a series of small to medium size enclosures available with knockouts or plain sides. The base of the enclosures is equipped with unique slots for printed circuit boards.

Package: 19
Unit: PCS



Technical specification

Operating temperature (°C):	- 40 °C... +80 °C
Short term temperature range:	- 40 °C... +120 °C
Colour:	RAL 7035
Content:	Enclosure base, cover, cover screws, mounting screws
Material, base:	Fiberglass reinforced polycarbonate
Material, cover:	Polycarbonate
Material, cover screws:	Polyamide
Material, gasket:	Polyurethane
Weight (kg):	0,465
Inner depth (mm):	85,5
Outer base depth (mm):	50
Outer cover height (mm):	50
Size (mm):	125 x 175 x 100
Degree of protection:	IP 66, IP 67
Environmental type UL:	4, 4X, 6, 12, 13
Flammability rating:	UL 746C 5V
Impact strenght:	IK 08
Standard:	EN 62208, UL 508A, GOST
UL File no.:	E189312
UL category:	NITW

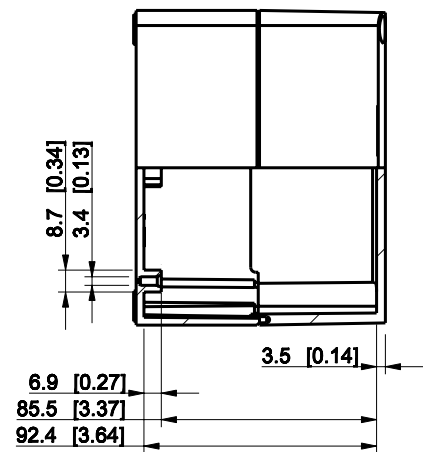
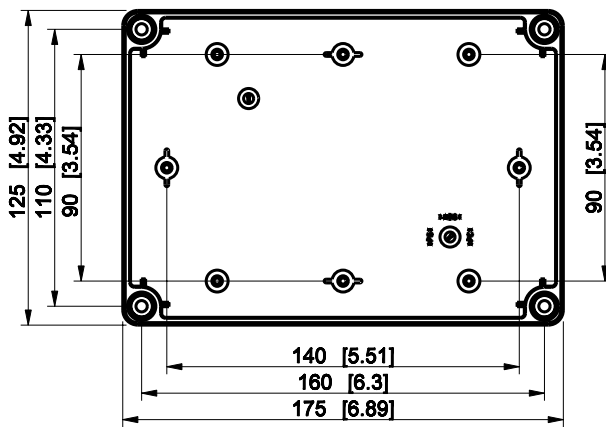
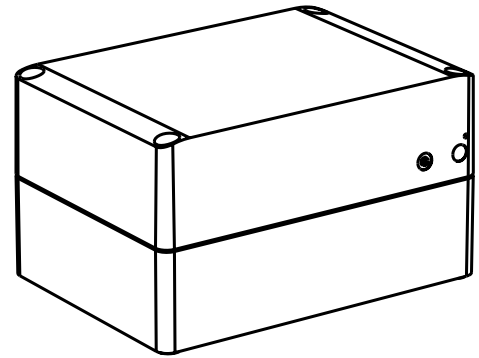
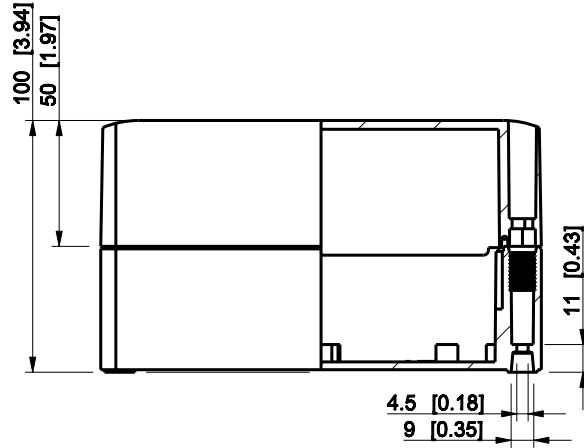
Ensto Finland Oy

Ensio Miettisen katu 2
P.O.Box 77
06101 Porvoo, Finland

Tel. +358 204 76 21
Fax +358 204 76 2516

www.ensto.com

ID	Description	Date	By	Appr.
A				

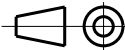


Dimensions in mm [inches]

Material: Polycarbonate, fiberglass-reinforced	Color: RAL 7035
--	-----------------

Supplier:	Tool No:	Weight [kg]: 0.42	Volume:
-----------	----------	-------------------	---------

ENSTO
ENSTO CONTROL OY



SPCP131810G

Scale	Date	08.12.08
1:3	By	PKos
-	Checked	
-	Ctrl	

Replaces:
Replaced:
Drw No: - A
Ref: Cubo S
Code: SPCP131810G
Sheet No:

model SPCP131810G PART

drawing CUBOS DRAWING