



Saves Your Energy

PRODUCT CARD

19.6.2013

SPCP131310G.U

Name: **Cubo S enclosure**
Size 125 x 125 x 100 mm, 50 mm base, plain sides, grey cover, PC

Type: SPCP131310G.U

EAN: 6438100115975

Description: Ensto Cubo S is a series of small to medium size enclosures available with knockouts or plain sides. The base of the enclosures is equipped with unique slots for printed circuit boards.

Package: 12

Unit: PCS



Technical specification

Operating temperature (°C): - 40 °C... +80 °C

Short term temperature range: - 40 °C... +120 °C

Colour: RAL 7035

Content: Enclosure base, cover, cover screws, mounting screws

Material, base: Fiberglass reinforced polycarbonate

Material, cover: Polycarbonate

Material, cover screws: Polyamide

Material, gasket: Polyurethane

Weight (kg): 0,357

Inner depth (mm): 85,5

Outer base depth (mm): 50

Outer cover height (mm): 50

Size (mm): 125 x 125 x 100

Degree of protection: IP 66, IP 67

Environmental type UL: 4, 4X, 6, 12, 13

Flammability rating: UL 746C 5V

Impact strength: IK 08

Standard: EN 62208, UL 508A, GOST

UL File no.: E189312

UL category: NITW

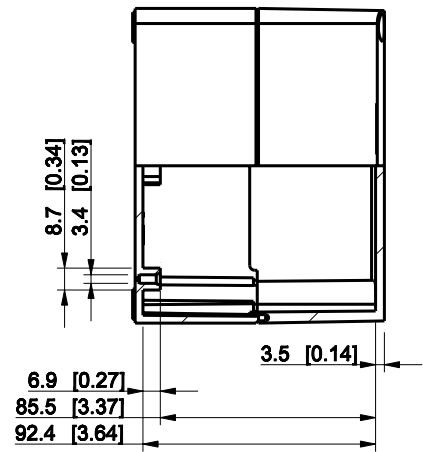
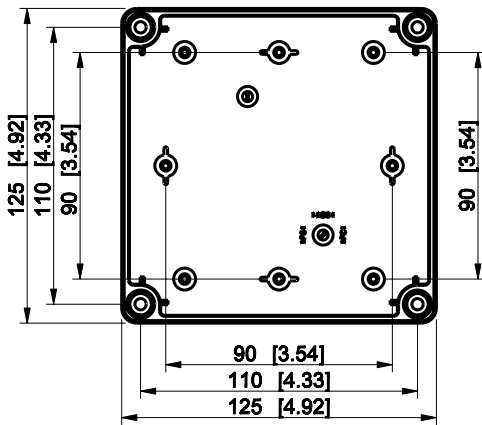
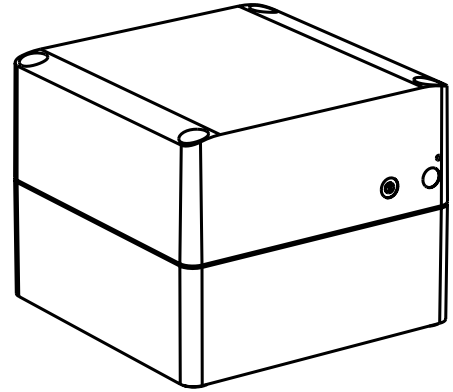
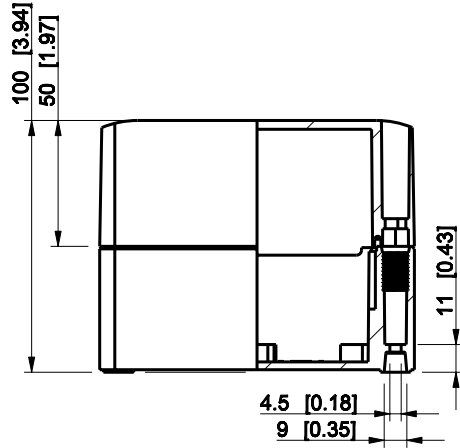
Ensto Finland Oy

Ensio Miettisen katu 2
P.O.Box 77
06101 Porvoo, Finland

Tel. +358 204 76 21
Fax +358 204 76 2516

www.ensto.com

| ID | Description | Date | By | Appr. |
|----|-------------|------|----|-------|
| A | | | | |

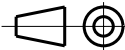


Dimensions in mm [inches]

| | |
|--|-----------------|
| Material: Polycarbonate, fiberglass-reinforced | Color: RAL 7035 |
|--|-----------------|

| | | | |
|-----------|----------|-------------------|---------|
| Supplier: | Tool No: | Weight [kg]: 0.33 | Volume: |
|-----------|----------|-------------------|---------|

ENSTO
ENSTO CONTROL OY



SPCP131310G

| | | |
|-------|---------|----------|
| Scale | Date | 08.12.08 |
| 1:3 | By | PKos |
| - | Checked | |
| - | Ctrl | |

| |
|-------------------|
| Replaces: |
| Replaced: |
| Drw No: - A |
| Ref: Cubo S |
| Code: SPCP131310G |
| Sheet No: |

model SPCP131310G PART

drawing CUBOS DRAWING