



Saves Your Energy

PRODUCT CARD

19.6.2013

SPCP081308T.U

Name: **Cubo S enclosure**
Size 75 x 125 x 75 mm, 50 mm base, plain sides, transparent cover, PC

Type: SPCP081308T.U

EAN: 6438100116217

Description: Ensto Cubo S is a series of small to medium size enclosures available with knockouts or plain sides. The base of the enclosures is equipped with unique slots for printed circuit boards.

Package: 18

Unit: PCS



Technical specification

Operating temperature (°C): - 40 °C... +80 °C

Short term temperature range: - 40 °C... +120 °C

Colour: RAL 7035

Content: Enclosure base, cover, cover screws, mounting screws

Material, base: Fiberglass reinforced polycarbonate

Material, cover: Polycarbonate

Material, cover screws: Polyamide

Material, gasket: Polyurethane

Weight (kg): 0,209

Inner depth (mm): 60,5

Outer base depth (mm): 50

Outer cover height (mm): 25

Size (mm): 75 x 125 x 75

Degree of protection: IP 66, IP 67

Environmental type UL: 4, 4X, 6, 12, 13

Flammability rating: UL 746C 5V

Impact strength: IK 08

Standard: EN 62208, UL 508A, GOST

UL File no.: E189312

UL category: NITW

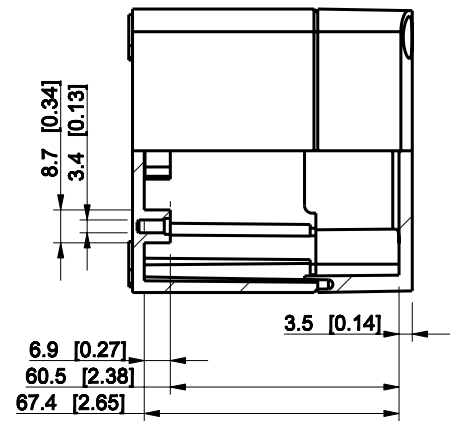
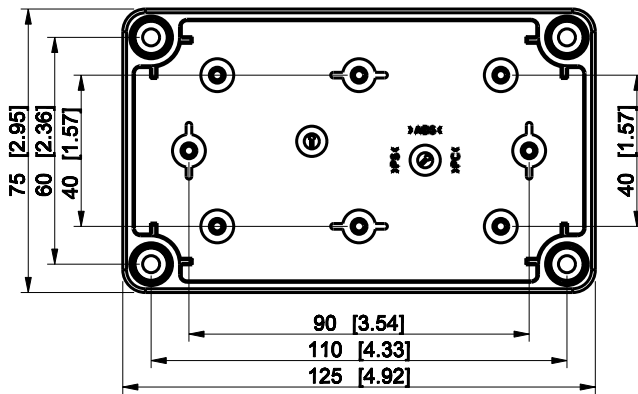
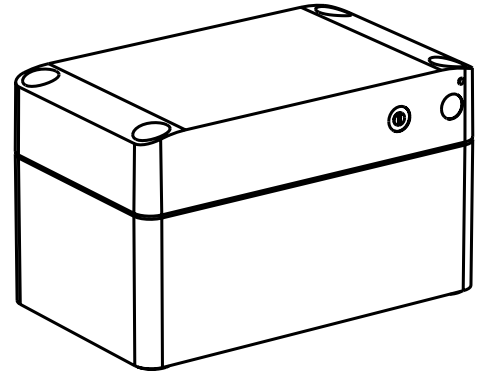
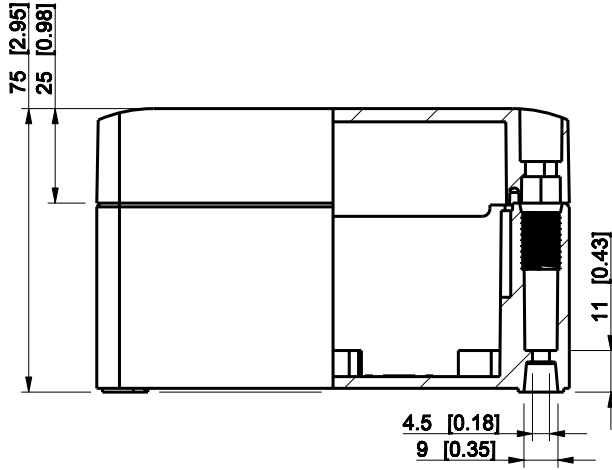
Ensto Finland Oy

Ensio Miettisen katu 2
P.O.Box 77
06101 Porvoo, Finland

Tel. +358 204 76 21
Fax +358 204 76 2516

www.ensto.com

ID	Description	Date	By	Appr.
A				

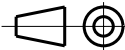


Dimensions in mm [inches]

Material: Polycarbonate, fiberglass-reinforced	Color: RAL 7035
--	-----------------

Supplier:	Tool No:	Weight [kg]: 0.19	Volume:
-----------	----------	-------------------	---------

ENSTO
ENSTO CONTROL OY



SPCP081308T

Scale	Date	08.12.08
1:2	By	PKos
-	Checked	
-	Ctrl	

Replaces:
Replaced:
Drw No: - A
Ref: Cubo S
Code: SPCP081308T
Sheet No:

model SPCP081308T PART
drawing CUBOS DRAWING