

# HEAVY DUTY MULTIPOLE CONNECTORS



## Crimp Contacts

10A Crimp Contact



### 10A Crimp Contact

Part #	Female Crimp Contacts	OEM Part #
S22	0.14 ÷ 0.37 mm <sup>2</sup> , AWG 26 ÷ 22	CDFA 0.3
S20	0.5 mm <sup>2</sup> , AWG 20	CDFA 0.5
S18A	0.75 mm <sup>2</sup> , AWG 18	CDFA 0.7
S18B	1 mm <sup>2</sup> , AWG 18	CDFA 1.0
S16	1.5 mm <sup>2</sup> , AWG 16	CDFA 1.5
S14	2.5 mm <sup>2</sup> , AWG 14	CDFA 2.5

16A Crimp Contact



Part #	Male Crimp Contacts	OEM Part #
P22	0.14 ÷ 0.37 mm <sup>2</sup> , AWG 26 ÷ 22	CDMA 0.3
P20	0.5 mm <sup>2</sup> , AWG 20	CDMA 0.5
P18A	0.75 mm <sup>2</sup> , AWG 18	CDMA 0.7
P18B	1 mm <sup>2</sup> , AWG 18	CDMA 1.0
P16	1.5 mm <sup>2</sup> , AWG 16	CDMA 1.5
P14	2.5 mm <sup>2</sup> , AWG 14	CDMA 2.5

Use Crimp Tool "CCPZ MIL"

40A Crimp Contact



### 40A Crimp Contact

Part #	Female Crimp Contacts	OEM Part #
SS16	1.5 mm <sup>2</sup> , AWG 16	
SS14	2.5 mm <sup>2</sup> , AWG 14	CDMA 2.5
SS12	4 mm <sup>2</sup> , AWG 12	
SS10	6 mm <sup>2</sup> , AWG 10	

Part #	Male Crimp Contacts	OEM Part #
SP16	1.5 mm <sup>2</sup> , AWG 16	
SP14	2.5 mm <sup>2</sup> , AWG 14	CDMA 2.5
SP12	4 mm <sup>2</sup> , AWG 12	
SP10	6 mm <sup>2</sup> , AWG 10	

Use Crimp Tool "CXPZ D"

### 16A Crimp Contact

Part #	Female Crimp Contacts	OEM Part #
ES22	0.14 ÷ 0.37 mm <sup>2</sup> , AWG 26 ÷ 22	
ES20	0.5 mm <sup>2</sup> , AWG 20	CCFA 0.5
ES18A	0.75 mm <sup>2</sup> , AWG 18	CCFA 0.7
ES18B	1 mm <sup>2</sup> , AWG 18	CCFA 1.0
ES16	1.5 mm <sup>2</sup> , AWG 16	CCFA 1.5
ES14	2.5 mm <sup>2</sup> , AWG 14	CCFA 2.5
ES12	4 mm <sup>2</sup> , AWG 12	

Part #	Male Crimp Contacts	OEM Part #
EP22	0.14 ÷ 0.37 mm <sup>2</sup> , AWG 26 ÷ 22	
EP20	0.5 mm <sup>2</sup> , AWG 20	CCMA 0.5
EP18A	0.75 mm <sup>2</sup> , AWG 18	CCMA 0.7
EP18B	1 mm <sup>2</sup> , AWG 18	CCMA 1.0
EP16	1.5 mm <sup>2</sup> , AWG 16	CCMA 1.5
EP14	2.5 mm <sup>2</sup> , AWG 14	CCMA 2.5
EP12	4 mm <sup>2</sup> , AWG 12	

Use Crimp Tool "CCPZ MIL"

## HOW TO CONVERT HOODS & BASES FROM PG TO NPT

Change the last number in the part number as follows:

Thread size	Pg to NPT	Metric to NPT	Thread size
Pg 11 to 3/8" NPT	2 to 9	16 to 9	M16 – 3/8"
Pg 11 to 1/2" NPT	2 to 10	16 to 10	M16 – 1/2"
Pg 13.5 to 1/2" NPT	3 to 10	20 to 10	M20 – 1/2"
Pg 16 to 1/2" NPT	4 to 10	25 to 10	M25 – 1/2"
Pg 21 to 3/4" NPT	5 to 11	25 to 11	M25 – 3/4"
Pg 29 to 1" NPT	6 to 12	32 to 11	M32 – 3/4"
Pg 29 to 1-1/4" NPT	6 to 13	32 to 12	M32 – 1"
Pg 36 to 1-1/4" NPT	7 to 13	32 to 13	M32 – 1-1/4"
Pg 36 to 1-1/2" NPT	7 to 14	40 to 12	M40 – 1"
Pg 42 to 1-1/2" NPT	8 to 14	40 to 13	M40 – 1-1/4"
		50 to 14	M50 – 1-1/2"

Examples:

ES1L06S4 (Pg 16) → ES1L06S10 (1/2" NPT)

ETTP16D5 (Pg 21) → ETTP16D11 (3/4" NPT)

**CQ** 4 poles (40A - 400/690V) + 2 poles (10A - 250V) + ⊕



enclosures: size "32.13"

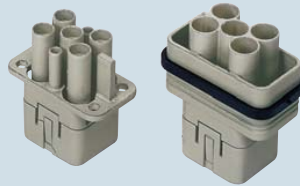
inserts, crimp connections

10A and 40A crimp contacts silver and gold plated

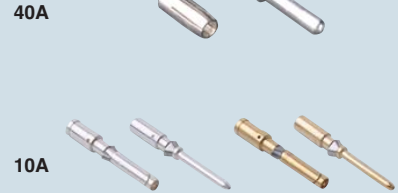
- characteristics according to EN 61984:  
**4 poli 40A 400/690V 6kV 3**  
**2 poli 10A 250V 4kV 3**
- certifications: cUL for USA and Canada



compliant with ISO 23570-3 standard and with DESINA® specification



**NEW**



description

part No.

part No.

part No.

without contacts (to be ordered separately)  
 female inserts for female contacts  
 male inserts for male contacts

**CQF 04/2**  
**CQM 04/2**

40A female contacts  
 1.5 mm<sup>2</sup> AWG 16  
 2.5 mm<sup>2</sup> AWG 14  
 4 mm<sup>2</sup> AWG 12  
 6 mm<sup>2</sup> AWG 10

40A male contacts  
 1.5 mm<sup>2</sup> AWG 16  
 2.5 mm<sup>2</sup> AWG 14  
 4 mm<sup>2</sup> AWG 12  
 6 mm<sup>2</sup> AWG 10

10A female contacts  
 0.14-0.37 mm<sup>2</sup> AWG 26-22 identification No. 1  
 0.5 mm<sup>2</sup> AWG 20 identification No. 2  
 0.75 mm<sup>2</sup> AWG 18 identification No. ②  
 1 mm<sup>2</sup> AWG 18 identification No. 3  
 1.5 mm<sup>2</sup> AWG 16 identification No. 4  
 2.5 mm<sup>2</sup> AWG 14 identification No. 5

10A male contacts  
 0.14-0.37 mm<sup>2</sup> AWG 26-22 identification No. 1  
 0.5 mm<sup>2</sup> AWG 20 identification No. 2  
 0.75 mm<sup>2</sup> AWG 18 identification No. ②  
 1 mm<sup>2</sup> AWG 18 identification No. 3  
 1.5 mm<sup>2</sup> AWG 16 identification No. 4  
 2.5 mm<sup>2</sup> AWG 14 identification No. 5

**CXFA 1.5**  
**CXFA 2.5**  
**CXFA 4.0**  
**CXFA 6.0**

silver plated

**CXMA 1.5**  
**CXMA 2.5**  
**CXMA 4.0**  
**CXMA 6.0**

**CDFA 0.3**  
**CDFA 0.5**  
**CDFA 0.7**  
**CDFA 1.0**  
**CDFA 1.5**  
**CDFA 2.5**

silver plated

**CDFD 0.3**  
**CDFD 0.5**  
**CDFD 0.7**  
**CDFD 1.0**  
**CDFD 1.5**  
**CDFD 2.5**

gold plated

**CDMA 0.3**  
**CDMA 0.5**  
**CDMA 0.7**  
**CDMA 1.0**  
**CDMA 1.5**  
**CDMA 2.5**

**CDMD 0.3**  
**CDMD 0.5**  
**CDMD 0.7**  
**CDMD 1.0**  
**CDMD 1.5**  
**CDMD 2.5**

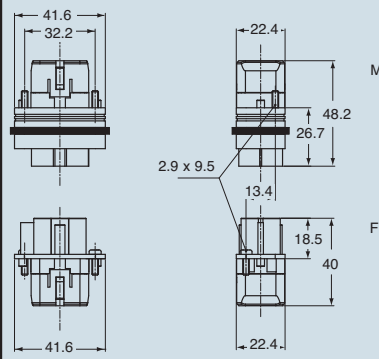
**CXF and CXM contacts**

conductor section mm <sup>2</sup>	ø slot ø A (mm)	B (mm)
1.5	1.75	9
2.5	2.25	9
4	2.85	9.6
6	3.5	9.6

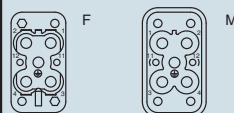
**CDF and CDM contacts**

conductor section mm <sup>2</sup>	conductor slot ø A (mm)	B (mm)
0.14-0.37	0.9	8
0.5	1.1	8
0.75	1.3	8
1.0	1.45	8
1.5	1.8	8
2.5	2.2	6

dimensions in mm

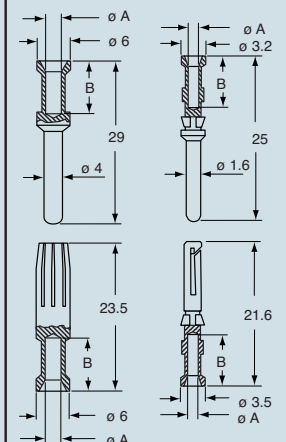


contacts side (front view)



dimensions in mm

**CXF and CXM**      **CDF and CDM**



dimensions shown are not binding and may be changed without notice