

HEAVY DUTY MULTIPOLE CONNECTORS



Crimp Contacts

10A Crimp Contact



10A Crimp Contact

Part #	Female Crimp Contacts	OEM Part #
S22	0.14 ÷ 0.37 mm ² , AWG 26 ÷ 22	CDFA 0.3
S20	0.5 mm ² , AWG 20	CDFA 0.5
S18A	0.75 mm ² , AWG 18	CDFA 0.7
S18B	1 mm ² , AWG 18	CDFA 1.0
S16	1.5 mm ² , AWG 16	CDFA 1.5
S14	2.5 mm ² , AWG 14	CDFA 2.5

16A Crimp Contact



Part #	Male Crimp Contacts	OEM Part #
P22	0.14 ÷ 0.37 mm ² , AWG 26 ÷ 22	CDMA 0.3
P20	0.5 mm ² , AWG 20	CDMA 0.5
P18A	0.75 mm ² , AWG 18	CDMA 0.7
P18B	1 mm ² , AWG 18	CDMA 1.0
P16	1.5 mm ² , AWG 16	CDMA 1.5
P14	2.5 mm ² , AWG 14	CDMA 2.5

Use Crimp Tool "CCPZ MIL"

40A Crimp Contact



40A Crimp Contact

Part #	Female Crimp Contacts	OEM Part #
SS16	1.5 mm ² , AWG 16	
SS14	2.5 mm ² , AWG 14	CDMA 2.5
SS12	4 mm ² , AWG 12	
SS10	6 mm ² , AWG 10	

Part #	Male Crimp Contacts	OEM Part #
SP16	1.5 mm ² , AWG 16	
SP14	2.5 mm ² , AWG 14	CDMA 2.5
SP12	4 mm ² , AWG 12	
SP10	6 mm ² , AWG 10	

Use Crimp Tool "CXPZ D"

16A Crimp Contact

Part #	Female Crimp Contacts	OEM Part #
ES22	0.14 ÷ 0.37 mm ² , AWG 26 ÷ 22	
ES20	0.5 mm ² , AWG 20	CCFA 0.5
ES18A	0.75 mm ² , AWG 18	CCFA 0.7
ES18B	1 mm ² , AWG 18	CCFA 1.0
ES16	1.5 mm ² , AWG 16	CCFA 1.5
ES14	2.5 mm ² , AWG 14	CCFA 2.5
ES12	4 mm ² , AWG 12	

Part #	Male Crimp Contacts	OEM Part #
EP22	0.14 ÷ 0.37 mm ² , AWG 26 ÷ 22	
EP20	0.5 mm ² , AWG 20	CCMA 0.5
EP18A	0.75 mm ² , AWG 18	CCMA 0.7
EP18B	1 mm ² , AWG 18	CCMA 1.0
EP16	1.5 mm ² , AWG 16	CCMA 1.5
EP14	2.5 mm ² , AWG 14	CCMA 2.5
EP12	4 mm ² , AWG 12	

Use Crimp Tool "CCPZ MIL"

HOW TO CONVERT HOODS & BASES FROM PG TO NPT

Change the last number in the part number as follows:

Thread size	Pg to NPT	Metric to NPT	Thread size
Pg 11 to 3/8" NPT	2 to 9	16 to 9	M16 – 3/8"
Pg 11 to 1/2" NPT	2 to 10	16 to 10	M16 – 1/2"
Pg 13.5 to 1/2" NPT	3 to 10	20 to 10	M20 – 1/2"
Pg 16 to 1/2" NPT	4 to 10	25 to 10	M25 – 1/2"
Pg 21 to 3/4" NPT	5 to 11	25 to 11	M25 – 3/4"
Pg 29 to 1" NPT	6 to 12	32 to 11	M32 – 3/4"
Pg 29 to 1-1/4" NPT	6 to 13	32 to 12	M32 – 1"
Pg 36 to 1-1/4" NPT	7 to 13	32 to 13	M32 – 1-1/4"
Pg 36 to 1-1/2" NPT	7 to 14	40 to 12	M40 – 1"
Pg 42 to 1-1/2" NPT	8 to 14	40 to 13	M40 – 1-1/4"
		50 to 14	M50 – 1-1/2"

Examples:

ES1L06S4 (Pg 16) → ES1L06S10 (1/2" NPT)

ETTP16D5 (Pg 21) → ETTP16D11 (3/4" NPT)

CQ 4 poles (40A - 400/690V) + 2 poles (10A - 250V) + ⊕



enclosures:

size "32.13"

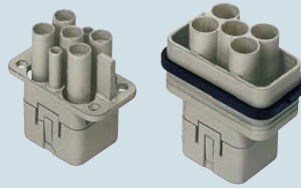
inserts, crimp connections

10A and 40A crimp contacts
silver and gold plated

- characteristics according to EN 61984:
4 poli 40A 400/690V 6kV 3
2 poli 10A 250V 4kV 3
- certifications: cUL for USA and Canada



compliant with ISO 23570-3 standard and with DESINA® specification



NEW

40A



10A



description

part No.

part No.

part No.

without contacts (to be ordered separately)
female inserts for female contacts
male inserts for male contacts

CQF 04/2
CQM 04/2

40A female contacts
1.5 mm² AWG 16
2.5 mm² AWG 14
4 mm² AWG 12
6 mm² AWG 10

CXFA 1.5
CXFA 2.5
CXFA 4.0
CXFA 6.0

silver plated

40A male contacts
1.5 mm² AWG 16
2.5 mm² AWG 14
4 mm² AWG 12
6 mm² AWG 10

CXMA 1.5
CXMA 2.5
CXMA 4.0
CXMA 6.0

10A female contacts
0.14-0.37 mm² AWG 26-22 identification No. 1
0.5 mm² AWG 20 identification No. 2
0.75 mm² AWG 18 identification No. ②
1 mm² AWG 18 identification No. 3
1.5 mm² AWG 16 identification No. 4
2.5 mm² AWG 14 identification No. 5

CDFA 0.3
CDFA 0.5
CDFA 0.7
CDFA 1.0
CDFA 1.5
CDFA 2.5

silver plated

CDFD 0.3
CDFD 0.5
CDFD 0.7
CDFD 1.0
CDFD 1.5
CDFD 2.5

gold plated

10A male contacts
0.14-0.37 mm² AWG 26-22 identification No. 1
0.5 mm² AWG 20 identification No. 2
0.75 mm² AWG 18 identification No. ②
1 mm² AWG 18 identification No. 3
1.5 mm² AWG 16 identification No. 4
2.5 mm² AWG 14 identification No. 5

CDMA 0.3
CDMA 0.5
CDMA 0.7
CDMA 1.0
CDMA 1.5
CDMA 2.5

CDMD 0.3
CDMD 0.5
CDMD 0.7
CDMD 1.0
CDMD 1.5
CDMD 2.5

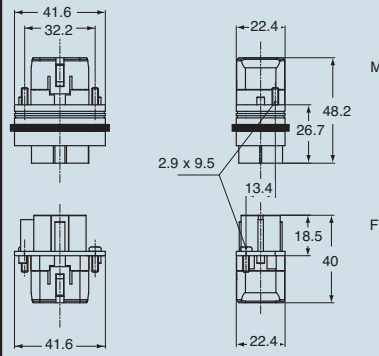
CXF and CXM contacts

conductor section mm ²	ø slot ø A (mm)	B (mm)
1.5	1.75	9
2.5	2.25	9
4	2.85	9.6
6	3.5	9.6

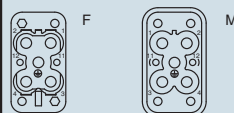
CDF and CDM contacts

conductor section mm ²	conductor slot ø A (mm)	B (mm)
0.14-0.37	0.9	8
0.5	1.1	8
0.75	1.3	8
1.0	1.45	8
1.5	1.8	8
2.5	2.2	6

dimensions in mm

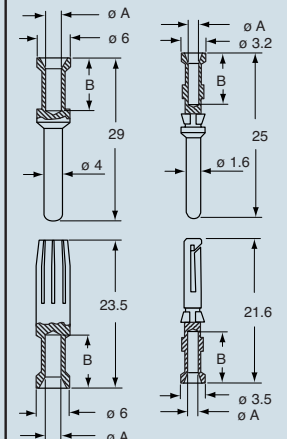


contacts side (front view)



dimensions in mm

CXF and CXM **CDF and CDM**



dimensions shown are not binding and may be changed without notice