

## HEAVY DUTY MULTIPOLE CONNECTORS



### Crimp Contacts

10A Crimp Contact



#### 10A Crimp Contact

| Part # | Female Crimp Contacts                     | OEM Part # |
|--------|---|------------|
| S22    | 0.14 ÷ 0.37 mm <sup>2</sup> , AWG 26 ÷ 22 | CDFA 0.3   |
| S20    | 0.5 mm <sup>2</sup> , AWG 20              | CDFA 0.5   |
| S18A   | 0.75 mm <sup>2</sup> , AWG 18             | CDFA 0.7   |
| S18B   | 1 mm <sup>2</sup> , AWG 18                | CDFA 1.0   |
| S16    | 1.5 mm <sup>2</sup> , AWG 16              | CDFA 1.5   |
| S14    | 2.5 mm <sup>2</sup> , AWG 14              | CDFA 2.5   |

16A Crimp Contact



| Part # | Male Crimp Contacts                       | OEM Part # |
|--------|---|------------|
| P22    | 0.14 ÷ 0.37 mm <sup>2</sup> , AWG 26 ÷ 22 | CDMA 0.3   |
| P20    | 0.5 mm <sup>2</sup> , AWG 20              | CDMA 0.5   |
| P18A   | 0.75 mm <sup>2</sup> , AWG 18             | CDMA 0.7   |
| P18B   | 1 mm <sup>2</sup> , AWG 18                | CDMA 1.0   |
| P16    | 1.5 mm <sup>2</sup> , AWG 16              | CDMA 1.5   |
| P14    | 2.5 mm <sup>2</sup> , AWG 14              | CDMA 2.5   |

Use Crimp Tool "CCPZ MIL"

40A Crimp Contact



#### 40A Crimp Contact

| Part # | Female Crimp Contacts        | OEM Part # |
|--------|------------------------------|------------|
| SS16   | 1.5 mm <sup>2</sup> , AWG 16 |            |
| SS14   | 2.5 mm <sup>2</sup> , AWG 14 | CDMA 2.5   |
| SS12   | 4 mm <sup>2</sup> , AWG 12   |            |
| SS10   | 6 mm <sup>2</sup> , AWG 10   |            |

| Part # | Male Crimp Contacts          | OEM Part # |
|--------|------------------------------|------------|
| SP16   | 1.5 mm <sup>2</sup> , AWG 16 |            |
| SP14   | 2.5 mm <sup>2</sup> , AWG 14 | CDMA 2.5   |
| SP12   | 4 mm <sup>2</sup> , AWG 12   |            |
| SP10   | 6 mm <sup>2</sup> , AWG 10   |            |

Use Crimp Tool "CXPZ D"

#### 16A Crimp Contact

| Part # | Female Crimp Contacts                     | OEM Part # |
|--------|---|------------|
| ES22   | 0.14 ÷ 0.37 mm <sup>2</sup> , AWG 26 ÷ 22 |            |
| ES20   | 0.5 mm <sup>2</sup> , AWG 20              | CCFA 0.5   |
| ES18A  | 0.75 mm <sup>2</sup> , AWG 18             | CCFA 0.7   |
| ES18B  | 1 mm <sup>2</sup> , AWG 18                | CCFA 1.0   |
| ES16   | 1.5 mm <sup>2</sup> , AWG 16              | CCFA 1.5   |
| ES14   | 2.5 mm <sup>2</sup> , AWG 14              | CCFA 2.5   |
| ES12   | 4 mm <sup>2</sup> , AWG 12                |            |

| Part # | Male Crimp Contacts                       | OEM Part # |
|--------|---|------------|
| EP22   | 0.14 ÷ 0.37 mm <sup>2</sup> , AWG 26 ÷ 22 |            |
| EP20   | 0.5 mm <sup>2</sup> , AWG 20              | CCMA 0.5   |
| EP18A  | 0.75 mm <sup>2</sup> , AWG 18             | CCMA 0.7   |
| EP18B  | 1 mm <sup>2</sup> , AWG 18                | CCMA 1.0   |
| EP16   | 1.5 mm <sup>2</sup> , AWG 16              | CCMA 1.5   |
| EP14   | 2.5 mm <sup>2</sup> , AWG 14              | CCMA 2.5   |
| EP12   | 4 mm <sup>2</sup> , AWG 12                |            |

Use Crimp Tool "CCPZ MIL"

## HOW TO CONVERT HOODS & BASES FROM PG TO NPT

Change the last number in the part number as follows:

| Thread size         | Pg to NPT | Metric to NPT | Thread size  |
|---------------------|-----------|---------------|--------------|
| Pg 11 to 3/8" NPT   | 2 to 9    | 16 to 9       | M16 – 3/8"   |
| Pg 11 to 1/2" NPT   | 2 to 10   | 16 to 10      | M16 – 1/2"   |
| Pg 13.5 to 1/2" NPT | 3 to 10   | 20 to 10      | M20 – 1/2"   |
| Pg 16 to 1/2" NPT   | 4 to 10   | 25 to 10      | M25 – 1/2"   |
| Pg 21 to 3/4" NPT   | 5 to 11   | 25 to 11      | M25 – 3/4"   |
| Pg 29 to 1" NPT     | 6 to 12   | 32 to 11      | M32 – 3/4"   |
| Pg 29 to 1-1/4" NPT | 6 to 13   | 32 to 12      | M32 – 1"     |
| Pg 36 to 1-1/4" NPT | 7 to 13   | 32 to 13      | M32 – 1-1/4" |
| Pg 36 to 1-1/2" NPT | 7 to 14   | 40 to 12      | M40 – 1"     |
| Pg 42 to 1-1/2" NPT | 8 to 14   | 40 to 13      | M40 – 1-1/4" |
|                     |           | 50 to 14      | M50 – 1-1/2" |

**Examples:**

ES1L06S4 (Pg 16) → ES1L06S10 (1/2" NPT)

ETTP16D5 (Pg 21) → ETTP16D11 (3/4" NPT)

**CQ** 4 poles (40A - 400/690V) + 2 poles (10A - 250V) + ⊕



enclosures:

size "32.13"

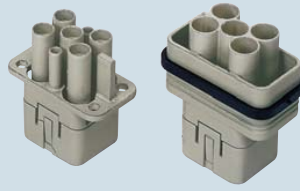
inserts, crimp connections

10A and 40A crimp contacts  
silver and gold plated

- characteristics according to EN 61984:  
**4 poli 40A 400/690V 6kV 3**  
**2 poli 10A 250V 4kV 3**
- certifications: cUL for USA and Canada



compliant with ISO 23570-3 standard and with DESINA<sup>®</sup> specification



**NEW**

40A

10A



description

part No.

part No.

part No.

without contacts (to be ordered separately)  
female inserts for female contacts  
male inserts for male contacts

**CQF 04/2**  
**CQM 04/2**

40A female contacts  
1.5 mm<sup>2</sup> AWG 16  
2.5 mm<sup>2</sup> AWG 14  
4 mm<sup>2</sup> AWG 12  
6 mm<sup>2</sup> AWG 10

40A male contacts  
1.5 mm<sup>2</sup> AWG 16  
2.5 mm<sup>2</sup> AWG 14  
4 mm<sup>2</sup> AWG 12  
6 mm<sup>2</sup> AWG 10

10A female contacts  
0.14-0.37 mm<sup>2</sup> AWG 26-22 identification No. 1  
0.5 mm<sup>2</sup> AWG 20 identification No. 2  
0.75 mm<sup>2</sup> AWG 18 identification No. ②  
1 mm<sup>2</sup> AWG 18 identification No. 3  
1.5 mm<sup>2</sup> AWG 16 identification No. 4  
2.5 mm<sup>2</sup> AWG 14 identification No. 5

10A male contacts  
0.14-0.37 mm<sup>2</sup> AWG 26-22 identification No. 1  
0.5 mm<sup>2</sup> AWG 20 identification No. 2  
0.75 mm<sup>2</sup> AWG 18 identification No. ②  
1 mm<sup>2</sup> AWG 18 identification No. 3  
1.5 mm<sup>2</sup> AWG 16 identification No. 4  
2.5 mm<sup>2</sup> AWG 14 identification No. 5

CXFA 1.5  
CXFA 2.5  
CXFA 4.0  
CXFA 6.0

silver plated

CXMA 1.5  
CXMA 2.5  
CXMA 4.0  
CXMA 6.0

CDFA 0.3  
CDFA 0.5  
CDFA 0.7  
CDFA 1.0  
CDFA 1.5  
CDFA 2.5

silver plated

CDFD 0.3  
CDFD 0.5  
CDFD 0.7  
CDFD 1.0  
CDFD 1.5  
CDFD 2.5

gold plated

CDMA 0.3  
CDMA 0.5  
CDMA 0.7  
CDMA 1.0  
**CDMA 1.5**  
CDMA 2.5

CDMD 0.3  
CDMD 0.5  
CDMD 0.7  
CDMD 1.0  
CDMD 1.5  
CDMD 2.5

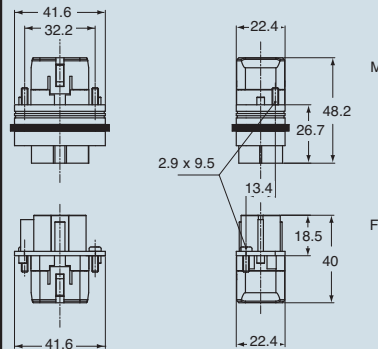
**CXF and CXM contacts**

| conductor section mm <sup>2</sup> | ø slot ø A (mm) | B (mm) |
|-----------------------------------|-----------------|--------|
| 1.5                               | 1.75            | 9      |
| 2.5                               | 2.25            | 9      |
| 4                                 | 2.85            | 9.6    |
| 6                                 | 3.5             | 9.6    |

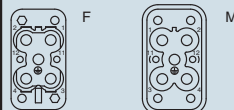
**CDF and CDM contacts**

| conductor section mm <sup>2</sup> | conductor slot ø A (mm) | B (mm) |
|-----------------------------------|-------------------------|--------|
| 0.14-0.37                         | 0.9                     | 8      |
| 0.5                               | 1.1                     | 8      |
| 0.75                              | 1.3                     | 8      |
| 1.0                               | 1.45                    | 8      |
| 1.5                               | 1.8                     | 8      |
| 2.5                               | 2.2                     | 6      |

dimensions in mm

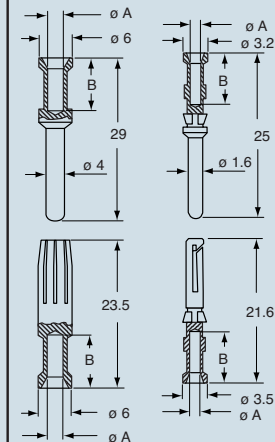


contacts side (front view)



dimensions in mm

**CXF and CXM**      **CDF and CDM**



dimensions shown are not binding and may be changed without notice