

HEAVY DUTY MULTIPOLE CONNECTORS

Special Hoods and Bases



Series E

Part #	Special Cable Passing Hoods with pegs for double levers	OEM Part #
ECPP16D	three holes for cables .197" to .532" in diameter	CYR 16.3
ECPP24D	four holes for cables .197" to .532" in diameter	CYR 24.4

The ECPP16D and 24D hoods may be matched with the EPML16D and EPML24D panel mount housings.

Central Lever enclosures for special applications



Part #	Panel mounting housings for central lever
EPMP06CL	Panel mounting with pegs for central lever
EPMP10CL	Panel mounting with pegs for central lever
EPMP16CL	Panel mounting with pegs for central lever
EPMP24CL	Panel mounting with pegs for central lever

Pg Part #	Pg	NPT Part #	NPT	Surface mounting housings with 2 entries
ES2P06CL6	29x2	ES2P06CL12	1" x 2	surface mounting, high construction, with pegs, for central lever
ES2P10CL6	29x2	ES2P10CL12	1" x 2	surface mounting, high construction, with pegs, for central lever
ES2P16CL6	29x2	ES2P16CL12	1" x 2	surface mounting, high construction, with pegs, for central lever
ES2P24CL6	29x2	ES2P24CL12	1" x 2	surface mounting, high construction, with pegs, for central lever

Central Lever enclosures for special applications



Pg Part #	Pg	NPT Part #	NPT	Hoods with central level
ESTL06CL5	21	ESTL06CL11	3/4"	side entry, high construction
ESTL06CL6	29	ESTL06CL12	1"	side entry, high construction
ESTL10CL5	21	ESTL10CL11	3/4"	side entry, high construction
ESTL10CL6	29	ESTL10CL12	1"	side entry, high construction
ESTL16CL5	21	ESTL16CL11	3/4"	side entry, high construction
ESTL16CL6	29	ESTL16CL12	1"	side entry, high construction
ESTL24CL5	21	ESTL24CL11	3/4"	side entry, high construction
ESTL24CL6	29	ESTL24CL12	1"	side entry, high construction



Pg Part #	Pg	NPT Part #	NPT	Hoods with central level
ETTL06CL5	21	ETTL06CL11	3/4"	top entry, high construction
ETTL06CL6	29	ETTL06CL12	1"	top entry, high construction
ETTL10CL5	21	ETTL10CL11	3/4"	top entry, high construction
ETTL10CL6	29	ETTL10CL12	1"	top entry, high construction
ETTL16CL5	21	ETTL16CL11	3/4"	top entry, high construction
ETTL16CL6	29	ETTL16CL12	1"	top entry, high construction
ETTL24CL5	21	ETTL24CL11	3/4"	top entry, high construction
ETTL24CL6	29	ETTL24CL12	1"	top entry, high construction

CYR - CHI enclosures for special applications



cable passing hoods
degree of protection IP54



cable passing housings



description

with pegs for two levers
- 3 holes for round cables $\varnothing 5 \div 13.5$ mm
- 4 holes for round cables $\varnothing 5 \div 13.5$ mm

with two levers
- for hoods CYR 16.3
- for hoods CYR 24.4

part No.

CYR 16.3
CYR 24.4

part No.

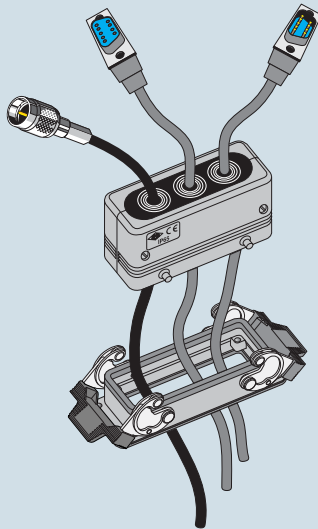
CHI 16
CHI 24

CYR enclosures for round cables

The CYR enclosures are used in installations that require a passage for round cables for data transmission (e.g. computers or PLC) via equipment such as command or control panels, ensuring a good condition of the cable connections.

The enclosures are in two parts and have sealing gaskets to preserve the degree of protection of the equipment. The enclosures also contain a rapid cable block device.

The CYR 16.3 and 24.4 can be used with the bulkhead enclosures CHI 16 and CHI 24 respectively.

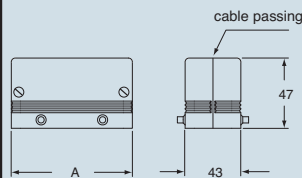


CE® Type
US 4/4X/12

(certification being applied for
CYR 16.3 and CYR 24.4)

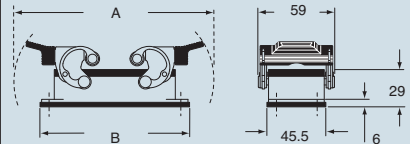
dimensions shown are not binding
and may be changed without notice

dimensions in mm



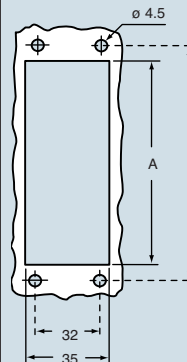
part No.	A	grommet entry	nr.
CYR 16.3	93.5	$\varnothing 5 / 13.5$	3
CYR 24.4	120	$\varnothing 5 / 13.5$	4

dimensions in mm



part No	A	B
CHI 16	153	115.5
CHI 24	179.5	142.5

CHI housings panel cut-out in mm



part No	A	B
CHI 16	86	103
CHI 24	112	130

GENERAL FEATURES OF MULTIPOLE CONNECTORS FOR INDUSTRIAL PURPOSES

- 1 Threaded cable passage in various Pg diameters, metric diameters in accordance with EN 60423 and "NPT" diameters, for cable entry devices in accordance with EN 50262, may be located vertically, horizontally or frontally.
- 2 Heavy duty enclosures in die-cast aluminium alloy or self-extinguishing thermoplastic (A-03 series).
Wall mounting or bulkhead housings and hoods are available, with or without fixed covers or with mobile protection covers.
- 3 Metallic enclosures with a coated finish of epoxy-polyester with high resistance to mechanical stress and external agents. Enclosures used with temperatures of up to 180°C and in aggressive environments

are treated with special coatings. Where electromagnetic compatibility is necessary: EMC enclosures with high conductivity and high corrosion resistance surface treatment.

- 4 Inserts in self-extinguishing thermoplastic material reinforced with glass fibres, UL approved, with a limit working temperature from -40°C to +125°C. For some series, inserts in PPS (polyphenylene sulphide) may be requested for special uses with temperatures of up to 180°C.
- 5 Polarized inserts with asymmetric guide rails for preventing incorrect coupling. The inserts have a mechanical duration equal to or over 500 coupling cycles.

- 6 Inserts manufactured in conformity with the DIN VDE 0627 standard and are certified and identified with the UL and CSA marks.
- 7 Special seal gaskets in vinyl nitrile elastomer or fluoro elastomer (on enclosures for use with maximum temperatures of 180°C and for aggressive environments), in antiaging, oil-resistant, fuel-resistant, together with the cable entry devices (not supplied) provide an IP66 degree of protection for coupled connectors.
Special conductive seals for EMC enclosures.
- 8 Stainless steel closure levers and springs guarantee a perfect closure and sealing.
- 9 Locking device available in two versions, simple (with one lever), or double (with two levers).

- 10 Various types of handles are available: in self-extinguishing, thermoplastic material reinforced with glass fibres; in die-cast aluminium (for special use with temperatures of up to 180°C); monoblock stainless steel handles (A-03 enclosures and for special uses with temperatures of up to 180°C).
- 11 Unlosable insert fastening screws, with antiloosening flexible washer.
- 12 Contacts position identified with numbers or codes on both sides of each insert and laser printed or moulded.
- 13 Contacts in silver or gold-plated brass (special order) with connections to the conductors made via unlosable unloosened screws, spring terminal, crimping or incorporated 45° terminal block connectors (with screw or spring terminal).
- 14 Earth terminal protection with wide contact surface.
- 15 Pegs and levers supplied with anti-friction rings that facilitate closure and limit wear and tear.
- 16 CE marking attesting conformity to the requirements of the Low Voltage directive 73/23/EEC and its modification 93/68/EEC.

