

MULTIPOLE CONNECTORS COMPLETE KITS V-TYPE LOCKING ENCLOSURES



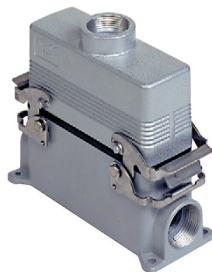
E series complete connectors



Complete Kits **16A max-600V (screw) V-type lever version**

| Part # | Surface mount housings two levers, E series inserts, side entry hood | OEM Part # |
|-------------------|--|------------------|
| E10SESM25D | 10P S.E. Surface DBL M25 / M20 | MNZ 10 PO |
| E16SESM32D | 16P S.E. Surface DBL M32 / M25 | MNZ 16 PO |
| E24SESM32D | 24P S.E. Surface DBL M32 / M25 | MNZ 24 PO |

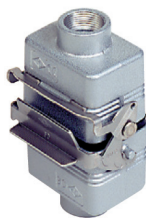
Part consisting of: surface mount base + female insert + male insert + hood



Complete Kits **16A max-600V (screw) V-type lever version**

| Part # | Surface mount housings two levers, E series inserts, top entry hood | OEM Part # |
|-------------------|---|------------------|
| E10TESM25D | 10P T.E. Panel DBL M25 / M20 | MNZ 10 PV |
| E16TESM32D | 16P T.E. Panel DBL M32 / M25 | MNZ 16 PV |
| E24TESM32D | 24P T.E. Panel DBL M32 / M25 | MNZ 24 PV |

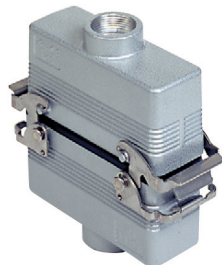
Part consisting of: surface mount base + female insert + male insert + hood



Complete Kits **16A max-600V (screw) V-type lever version**

| Part # | Cable coupler single lever, E series inserts, top entry hood | OEM Part # |
|-------------------|--|-------------------|
| E06TECC25S | 6P T.E. Cable Coupler SGL M25 | MNLZ 06 VG |

Part consisting of: cable coupler hoods + female insert + male insert + hood



Complete Kits **16A max-600V (screw) V-type lever version**

| Part # | Cable coupler two lever, E series inserts, top entry hood | OEM Part # |
|-------------------|---|------------------|
| E10TECC25D | 10P T.E. Cable Coupler DBL M25 | MNZ 10 VG |
| E16TECC32D | 16P T.E. Cable Coupler DBL M32 | MNZ 16 VG |
| E24TECC32D | 24P T.E. Cable Coupler DBL M32 | MNZ 24 VG |

Part consisting of: cable coupler hoods + female insert + male insert + hood

• All entry ports are Metric thread

• See below for Metric/NPT adapters

“M” (ISO) METRIC THREADED ADAPTERS



| Part Number | External Thread | Internal Thread |
|----------------|-----------------|-----------------|
| M16-38 | M16 x 1.5 | 3/8 NPT |
| M16-50 | M16 x 1.5 | 1/2 NPT |
| M20-50 | M20 x 1.5 | 1/2 NPT |
| M25-50 | M25 x 1.5 | 1/2 NPT |
| M25-75 | M25 x 1.5 | 3/4 NPT |
| M32-75 | M32 x 1.5 | 3/4 NPT |
| M32-100 | M32 x 1.5 | 1 NPT |
| M32-125 | M32 x 1.5 | 1-1/4 NPT |
| M40-100 | M40 x 1.5 | 1 NPT |
| M40-125 | M40 x 1.5 | 1-1/4 NPT |
| M50-150 | M50 x 1.5 | 1-1/2 NPT |

Threaded Adapters easily convert – or mate – one thread style with another. These adapters are offered with both internal and external threads that mate NPT with Metric (or ISO) style fittings. They are constructed of machined aluminum with electroless-nickel plating for enhanced protection against corrosion, friction and contamination. The threaded adapters also incorporate a Viton™ O-Ring to provide a liquid-tight seal. This product family is UL Recognized and meets ASTM, MIL and AMS specifications.

CNZ complete connectors 16A max - 500V/6kV/3 (screw) V-type lever version



part consisting of*:

- CNZ PO**
CVP + CNEF T + CNEM T + CHO
- MNZ PO**
MVP + CNEF T + CNEM T + MHO
- CNZ PV**
CVP + CNEF T + CNEM T + CHV
- MNZ PV**
MVP + CNEF T + CNEM T + MHV

*(housing + female insert + male insert + hood)

surface mounting housings with two levers,
CNE series inserts, hoods
side entry



surface mounting housings with two levers,
CNE series inserts, hoods
top entry



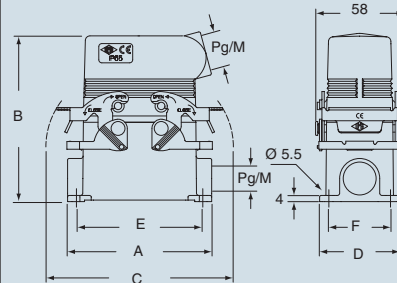
| description | part No. | | part No. | | part No. | | part No. | |
|---|------------------|---------|------------------|---------|------------------|---------|------------------|---------|
| | entry Pg | entry M | entry Pg | entry M | entry Pg | entry M | entry Pg | entry M |
| with lever, 10 poles + ⊕, size "57.27" | CNZ 10 PO | 16 | MNZ 10 PO | 20/25 | CNZ 10 PV | 16 | MNZ 10 PV | 20/25 |
| with lever, 16 poles + ⊕, size "77.27" | CNZ 16 PO | 21 | MNZ 16 PO | 25/32 | CNZ 16 PV | 21 | MNZ 16 PV | 25/32 |
| with lever, 24 poles + ⊕, size "104.27" | CNZ 24 PO | 21 | MNZ 24 PO | 25/32 | CNZ 24 PV | 21 | MNZ 24 PV | 25/32 |

N.B.:
entry M 20/25 =
surface mounting housing M20 / hood M25

entry M 25/32 =
surface mounting housing M25 / hood M32

dimensions in mm

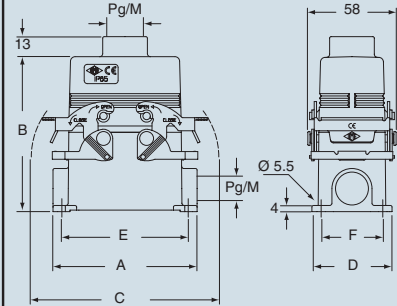
CNZ/MNZ PO



| type | A | B | C | D | E | F |
|----------------------|------|-------|-------|----|-----|----|
| CNZ/MNZ 10 PO | 93,5 | 107,5 | 122 | 52 | 82 | 40 |
| CNZ/MNZ 16 PO | 117 | 124,5 | 142,5 | 57 | 105 | 45 |
| CNZ/MNZ 24 PO | 144 | 124,5 | 169 | 57 | 132 | 45 |

dimensions in mm

CNZ/MNZ PV



| type | A | B | C | D | E | F |
|----------------------|------|-------|-------|----|-----|----|
| CNZ/MNZ 10 PV | 93,5 | 100,5 | 122 | 52 | 82 | 40 |
| CNZ/MNZ 16 PV | 117 | 106,5 | 142,5 | 57 | 105 | 45 |
| CNZ/MNZ 24 PV | 144 | 116,5 | 169 | 57 | 132 | 45 |

the indicated measurements are only approximate and can be changed without prior notice