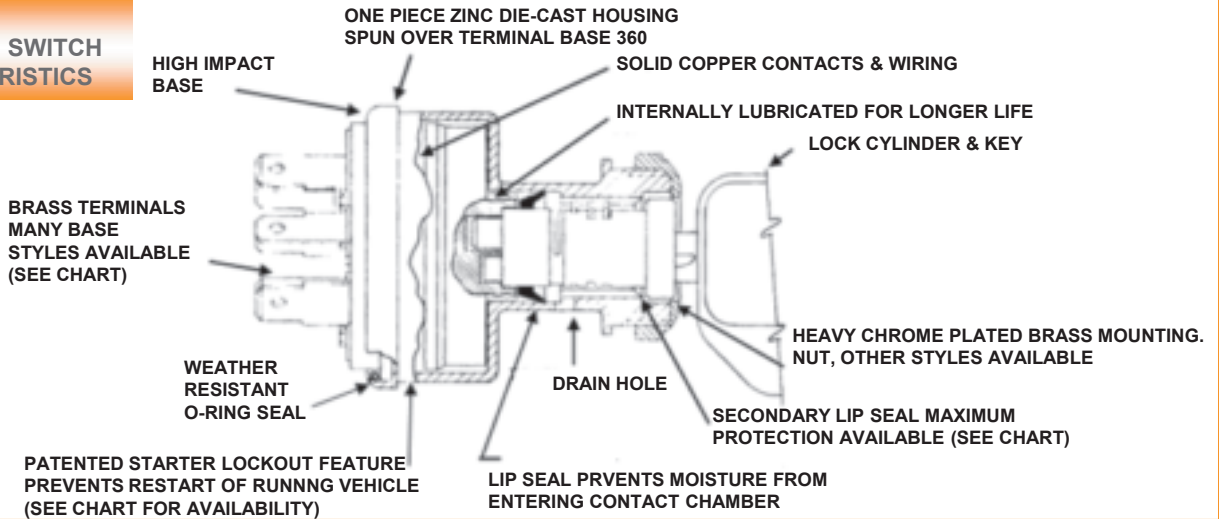


IGNITION STARTER SWITCHES

Momentary Start Universal Type Die-Cast Housing

COMMON AVAILABLE SWITCH CHARACTERISTICS



BASE TYPES & CONNECTIONS



For Specific Applications Consult Factory

Base Types (3, 3A & 7) fit Packard Connector #2984017

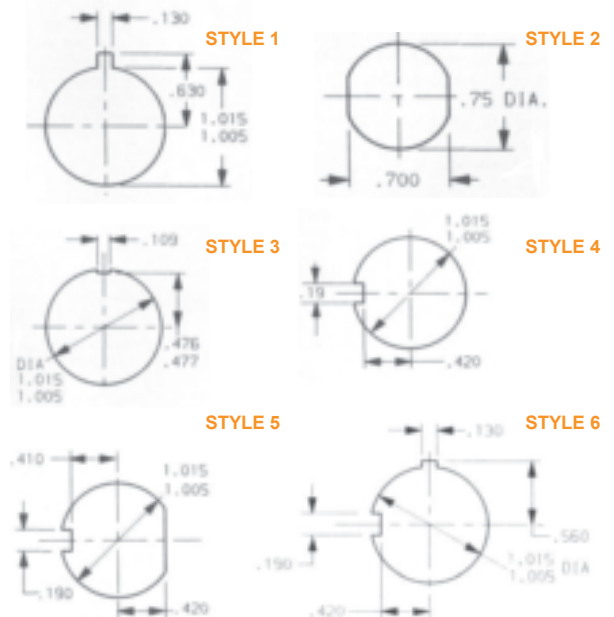
Typical Ratings @ 14 Volts DC (50,000 Cycles)

Ignition Terminal	Accessory Terminal	Start Terminal
8 Amps	30 Amps (Inductive)	75 Amps make 20 Amps Break

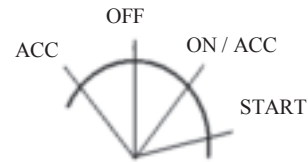
Continuous Current Carrying Capacity – 30 Amps @ 14V. Accessory Terminal with #10 Gauge Wire.

For Specific Applications Consult Factory

MOUNTING HOLE PATTERNS



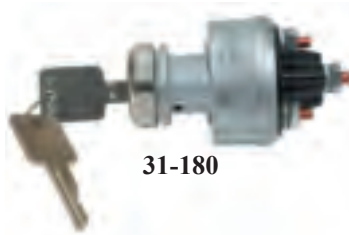
4-POSITION SWITCHES FUNCTIONS & POSITIONS Key Removable in "Off" Position Only



(SPRING RETURN TO ON)



31-610



31-180



31-242

Base Type	Part No.	Starter Lockout	Key Logo	Key code	# of Lip Seals	M/H/P	Remarks
1	31-103	N	Pollak	Various	0	2	
1	31-104	N	Pollak	PK556	0	2	
1	31-105	Y	Pollak	Various	0	2	
1	31-106	Y	Pollak	PK556	0	2	
1	31-109	N		No L/Cyl	0	1	No Base Hardware Supplied
1	31-110	N	Pollak	Various	0	1	No Base Hardware Supplied
1	31-111	N		No L/Cyl	0	1	No Base Hardware Supplied
1	31-131	N	Pollak	Various	0	1	Spc. Hardware Clips
1	31-159	N	None	Special	1	3	Key Code 31-159-100
1	31-178	N	L/Cyl Mfg	D250	2	5	
1	31-180	N	L/Cyl Mfg	Various	2	5	"O" Sealed Base
1	31-190	N	No Key	Universal	1	4	No Base Hardware or Keys Supplied
1	31-196	N	Pollak	Universal	1	4	
1	31-233	Y		No L/Cyl	0	2	
1	31-292	Y	Pollak	Various	0	2	Black Mounting Nut
1	31-292-801	Y	Pollak	C801	0	2	Black Mounting Nut
1	31-292-802	Y	Pollak	C802	0	2	Black Mounting Nut
1	31-292-803	Y	Pollak	C803	0	2	Black Mounting Nut
1	31-292-804	Y	Pollak	C804	0	2	Black Mounting Nut
1	31-292-805	Y	Pollak	C805	0	2	Black Mounting Nut
1	31-292-806	Y	Pollak	C806	0	2	Black Mounting Nut
1	31-305	Y	L/Cyl Mfg	D250	2	5	
1	31-607	N	Lever		0	2	
1	31-608	Y	Lever		0	1	
1	31-610	Y	Pollak	Universal	1	4	
2	31-124	N		No L/Cyl	0	3	Spc. Hardware Clips
3	31-228	N	Pollak	Universal			Terminal Ground ID Tag
2	31-242	Y	Pollak	Universal	1	4	Spc. Hardware Clips
3	31-132	N	L/Cyl Mfg	Various	0	Spc.	Bezel Mfg.

M/H/P = Mounting Hole Pattern