



Saves Your Energy

PRODUCT CARD

8.10.2013

# OPCP202018G.U

Name: **Cubo O enclosure**  
Size 200 x 200 x 185 mm, plain sides, grey cover, PC  
Type: OPCP202018G.U  
EAN: 6438100116941

Description: Ensto Cubo O is a series of medium to large size enclosures available with plain sides or metric knockouts. Special features of the series allow mounting the cover onto the back of the base and include adjustable elevators for the base corner slots, enabling plates and panels to be mounted at any height.



Package: 1  
Unit: PCS



## Technical specification

Operating temperature (°C):	- 40 °C... +80 °C
Short term temperature range:	- 40 °C... +120 °C
Colour:	RAL 7035
Content:	Enclosure base, cover, extension frame, cover screws, mounting screws, screws for the extension frame
Material, base:	Fiberglass reinforced polycarbonate
Material, cover:	Polycarbonate
Material, cover screws:	Polyamide
Material, gasket:	Polyurethane
Volume cm <sup>3</sup> :	740,00
Weight (kg):	1,367
Depth mm:	187
Inner depth (mm):	170,0
Outer base depth (mm):	102 + 55
Outer cover height (mm):	30
Size (mm):	200 x 200 x 187
Degree of protection:	IP 66, IP 67
Environmental type UL:	4, 4x, 12, 13
Flammability rating:	UL 746C 5V
Impact strenght:	IK 08
Standard:	EN 62208, UL 508A, GOST
UL File no.:	E189312
UL category:	NITW

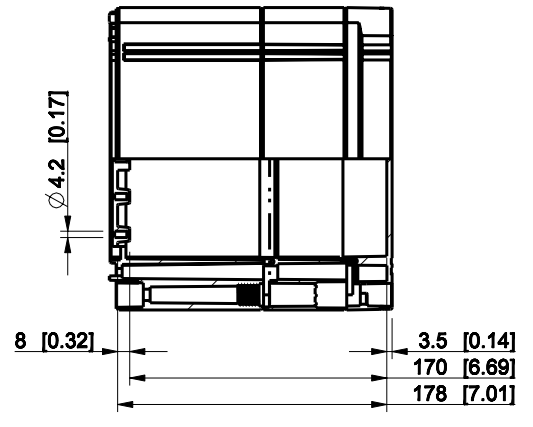
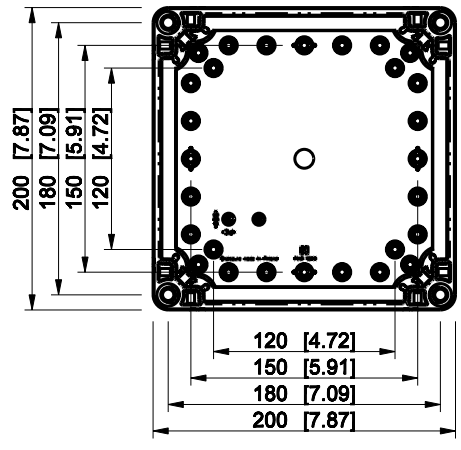
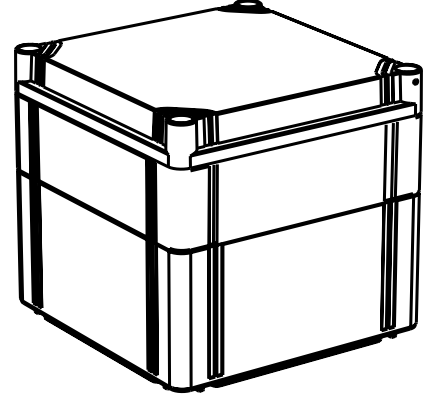
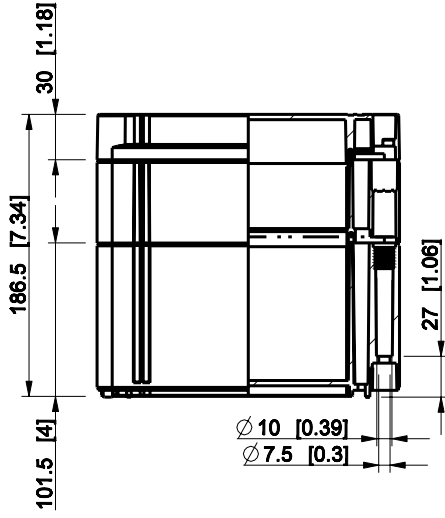
Ensto Finland Oy

Ensio Miettisen katu 2  
P.O.Box 77  
06101 Porvoo, Finland

Tel. +358 204 76 21  
Fax +358 204 76 2516

[www.ensto.com](http://www.ensto.com)

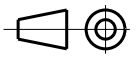
ID	Description	Date	By	Appr.
A				



Dimensions in mm [inches]

Material: Polycarbonate, fiberglass-reinforced      Color: RAL 7035

Supplier:      Tool No:      Weight [kg]: 1.33      Volume:



OPCP202018G

Scale	Date	18.12.08
1:5	By	PKos
-	Checked	
-	Ctrl	

Replaces:	
Replaced:	
Drw No:	A
Ref:	Cubo O
Code:	OPCP202018G
Sheet No:	

model OPCP202018G PART  
drawing CUBO\_O.drawing