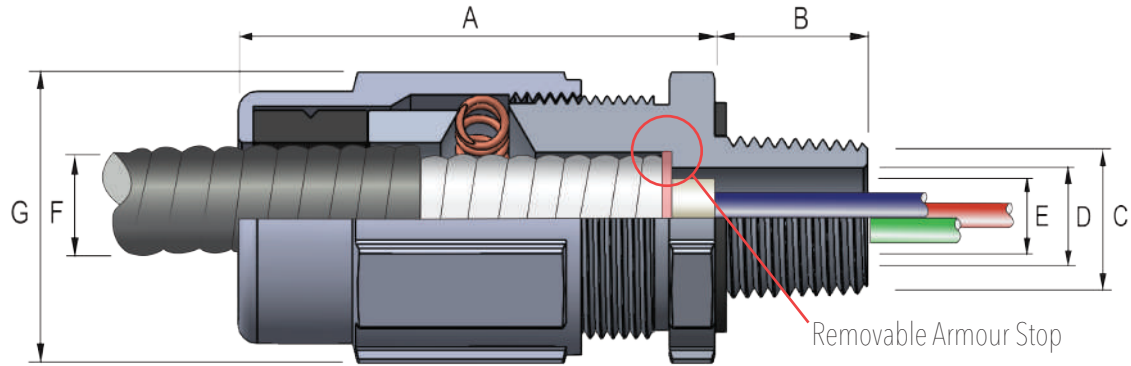


TECK CONNECTORS



Part No (Not Final)	Entry Thread NPT 'C'	Minimum Thread Length 'B'	Cable Outer Jacket Diameter 'F'		Cable Armor Diameter 'D'		Thru Bore 'E'	Across Flat 'G'	Cable Stripping Length	Assembly Torque n.m.	Nominal Assembly Length 'A'
			Min.	Max.	Min.	Max.					
TKMC050A075	1/2"	0.78	0.520	0.720	0.440	0.610	0.520	1.496	1.65	36.0	3.25
TKMC050A099	1/2"	0.78	0.710	0.980	0.620	0.860	0.610	1.654	1.30	36.0	3.70
TKMC075A075	3/4"	0.80	0.520	0.720	0.440	0.610	0.520	1.496	1.65	36.0	3.25
TKMC075A099	3/4"	0.80	0.710	0.980	0.620	0.860	0.748	1.654	1.65	36.0	3.74
TKMC075A118	3/4"	0.80	0.880	1.140	0.800	1.040	0.795	1.969	1.65	36.0	4.03
TKMC100A118	1"	0.98	0.880	1.140	0.800	1.040	0.965	1.969	1.65	50.0	4.18
TKMC100A137	1"	0.98	1.050	1.360	0.970	1.260	1.047	2.205	1.97	50.0	4.65
TKMC125A137	1-1/4"	1.01	1.050	1.360	0.970	1.260	1.146	2.205	1.97	50.0	4.65
TKMC125A162	1-1/4"	1.01	1.320	1.620	1.240	1.500	1.319	2.441	2.01	50.0	4.72
TKMC125A190	1-1/4"	1.01	1.580	1.880	1.500	1.760	1.370	2.559	2.01	50.0	4.72
TKMC150A162	1-1/2"	1.03	1.320	1.620	1.240	1.500	1.382	2.441	2.01	60.0	4.72
TKMC150A190	1-1/2"	1.03	1.580	1.880	1.500	1.760	1.543	2.559	2.01	60.0	4.72
TKMC150A200	1-1/2"	1.03	1.670	1.980	1.590	1.860	1.610	2.756	1.91	60.0	4.93
TKMC150A233	1-1/2"	1.03	1.900	2.250	1.820	2.130	1.614	2.953	1.93	60.0	5.01
TKMC200A200	2"	1.06	1.670	1.980	1.590	1.860	1.654	2.756	2.01	60.0	4.96
TKMC200A233	2"	1.06	1.900	2.250	1.820	2.130	2.028	2.953	2.01	60.0	5.01
TKMC200A272	2"	1.06	2.380	2.660	2.250	2.460	2.071	3.543	2.01	60.0	5.22
TKMC250A233	2-1/2"	1.57	1.900	2.250	1.820	2.130	2.031	2.953	2.20	60.0	5.54
TKMC250A272	2-1/2"	1.57	2.280	2.680	2.150	2.480	2.402	3.543	2.20	60.0	5.73
TKMC300A272	3"	1.63	2.280	2.680	2.150	2.480	2.402	3.543	2.20	60.0	5.79
TKMC300A325	3"	1.63	2.620	3.250	2.490	3.050	2.717	4.331	2.48	60.0	6.30
TKMC350A325	3-1/2"	1.69	2.650	3.250	2.520	3.050	2.717	4.331	2.48	60.0	6.36

*All Dimensions are in Inches

TECK CONNECTORS

FOR MC, MC-HL, INTERLOCKED &
TECK ARMORED CABLES



*** Locknut Included**

CABLE GLAND MATERIAL	Aluminium
ARMOR LOCKING	360° Stainless Steel Grounding Spring
TEMPERATURE RANGE	-58°F to +194°F (-50°C to +90°C)
INGRESS PROTECTION RATING	IP66
CABLE TYPE	MCC, MC-HL, TECK90
UL CERTIFICATION	CI I, Z1, AEx e II, CI I Div 2 Gr ABCD, CI II Div 1 & 2 Gr EFG, CI III Div 1 & 2
CSA CERTIFICATION	CSA C22.2 NO. 18.3-12 UL 514B (6th Ed.)