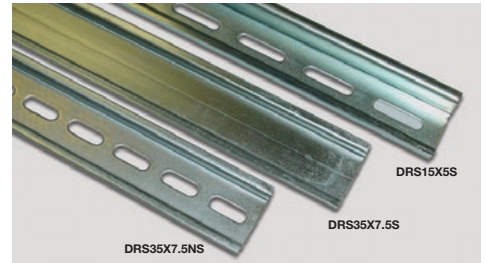


## DIN RAILS

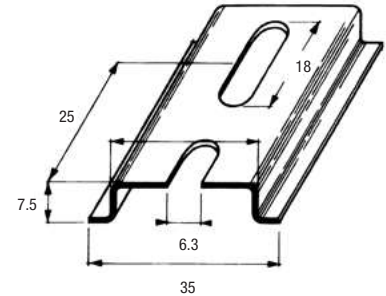
- All Din Rail supplied in 2 meter lengths
- All Din Rail is steel with white dichromate finish
- Standard packages of 10 pieces
- Priced per piece
- Rails to UNI 5961-67 standards,
- Sendzimir zinc plating.
- Thickness of covering = 8 microns
- Compliance with the following standards: DIN 46277, CENELEC EN50.022 / EN 50.023 / EN50.035.
- In according to Weee and RoHS directives.



### DRS35X7.5S

Part Number	Length ft.	Length m.
DRS35X7.5S	6.56	2
DRS35X7.5S1M	3.3	1

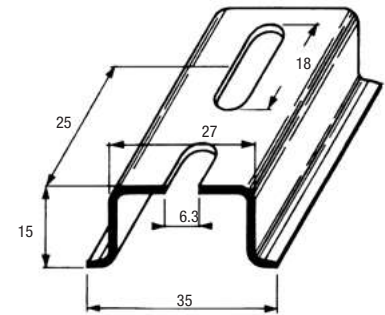
Perforated support rail in steel. Manufactured according to the following standards: DIN 46277 CENELEC EN 50.022. Length: 2m/6.56ft. bars



### DRS35X15S

Part Number	Length ft.	Length m.
DRS35X15S	6.56	2

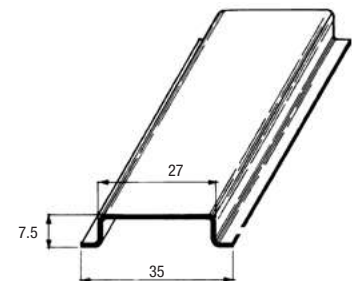
Perforated support rail in steel. Manufactured according to the CENELEC EN 50.022 standards. Length: 2m/6.56ft. bars



### DRS35X7.5NS

Part Number	Length ft.	Length m.
DRS35X7.5NS	6.56	2

Support rail in steel for clip assembly of electrical equipment. Manufactured according to the following standards: DIN 46277 CENELEC EN 50.022. Length: 2m/6.56ft. bars



### DRS35X15NS

Part Number	Packing ft.	Packing m.
DRS35X15NS	65	20

Support rail in steel for the clip assembly of electrical equipment. Manufactured according to the CENELEC EN 50.022 standards. Length: 2m/6.56ft. bars

