



Tel: (450) 449-0412 ; 1-866-540-0412 Fax: (450)449-9115 ; 1-866-499-9115



DX SERIES

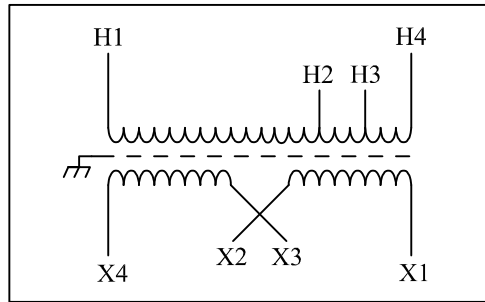
7500 VA, PART # : DX 7500QHU

ELECTRICAL SPECIFICATIONS

PHASE:	1
FREQ.:	60 Hz.
INSUL. CLASS	H(180°C)
TEMP. RISE	< 115°C

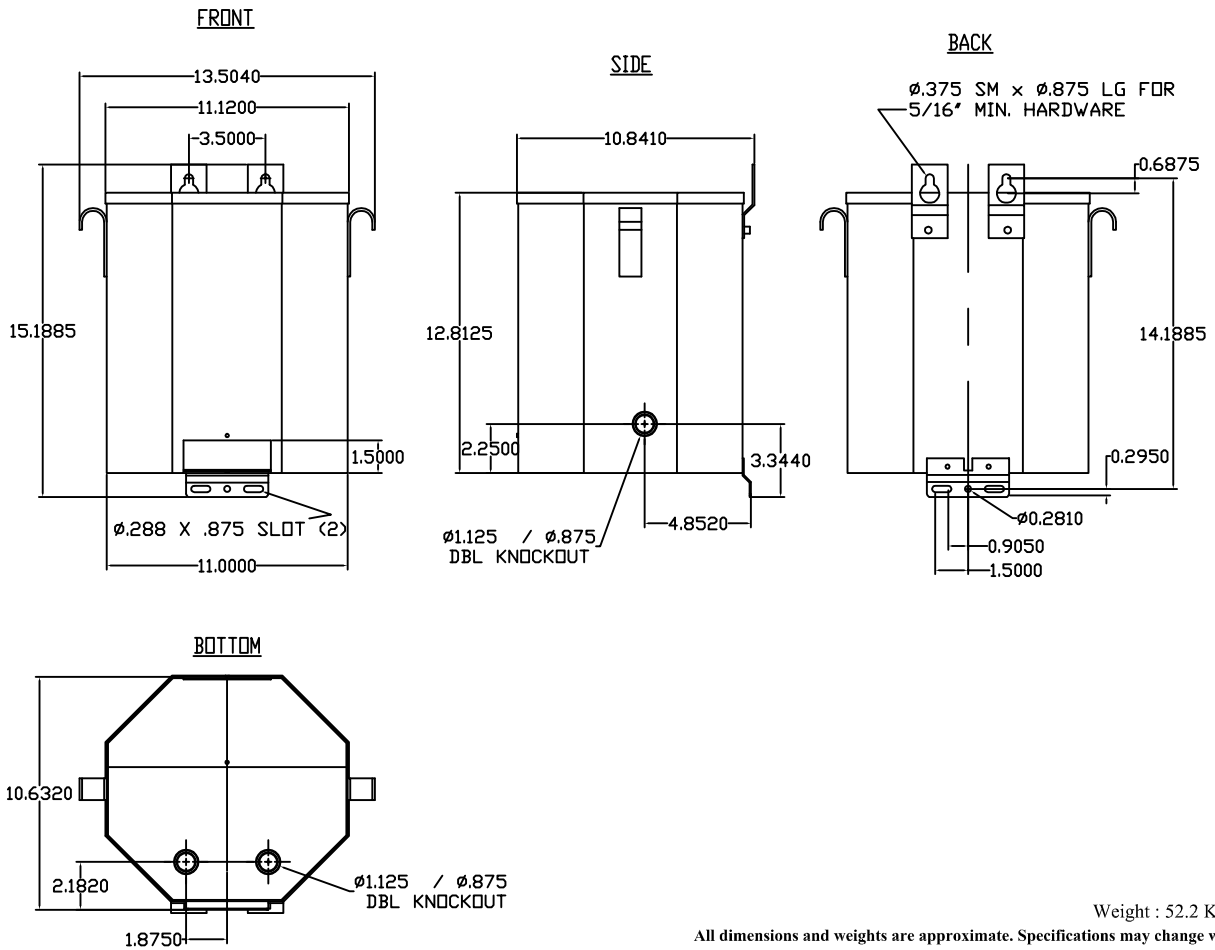
PRIMARY VOLTAGE	
600	2, 2 1/2 % ANFC, 2, 2 1/2 % BNFC

SECONDARY VOLTAGE
120/240



PRIMARY VOLTS	CONNECT PRIMARY LINES TO	INTER-CONNECT	CONNECT SECONDARY LINES TO
600	H1 - H4		
SECONDARY VOLT			
120		X1 to X3 X2 to X4	X1 - X4
240		X2 to X3	X1 - X4

MECHANICAL SPECIFICATIONS: (Dimensions = inches).



Weight : 52.2 Kg (115 lbs)

All dimensions and weights are approximate. Specifications may change without notice.

					TRANSFAB magnetic solutions		TMS		MODEL NUMBER: DX 7500QHU	
ZONE	REV	REVISION	DESCRIPTION	DATE	APPROVAL	Drawn by:	SS	DWG NO.	71CUDX7500QHU-ENG	REV 00
DATE: JANUARY/24/2013									PAGE: 1 of 1	