



Tel: (450) 449-0412 ; 1-866-540-0412 Fax: (450)449-9115 ; 1-866-499-9115



# DX SERIES

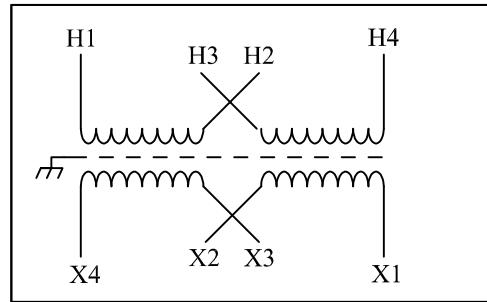
## 2000 VA, PART # : DX 2000PHU

**ELECTRICAL SPECIFICATIONS**

PHASE:	1
FREQ.:	60 Hz.
INSUL. CLASS	H(180°C)
TEMP. RISE	< 115°C

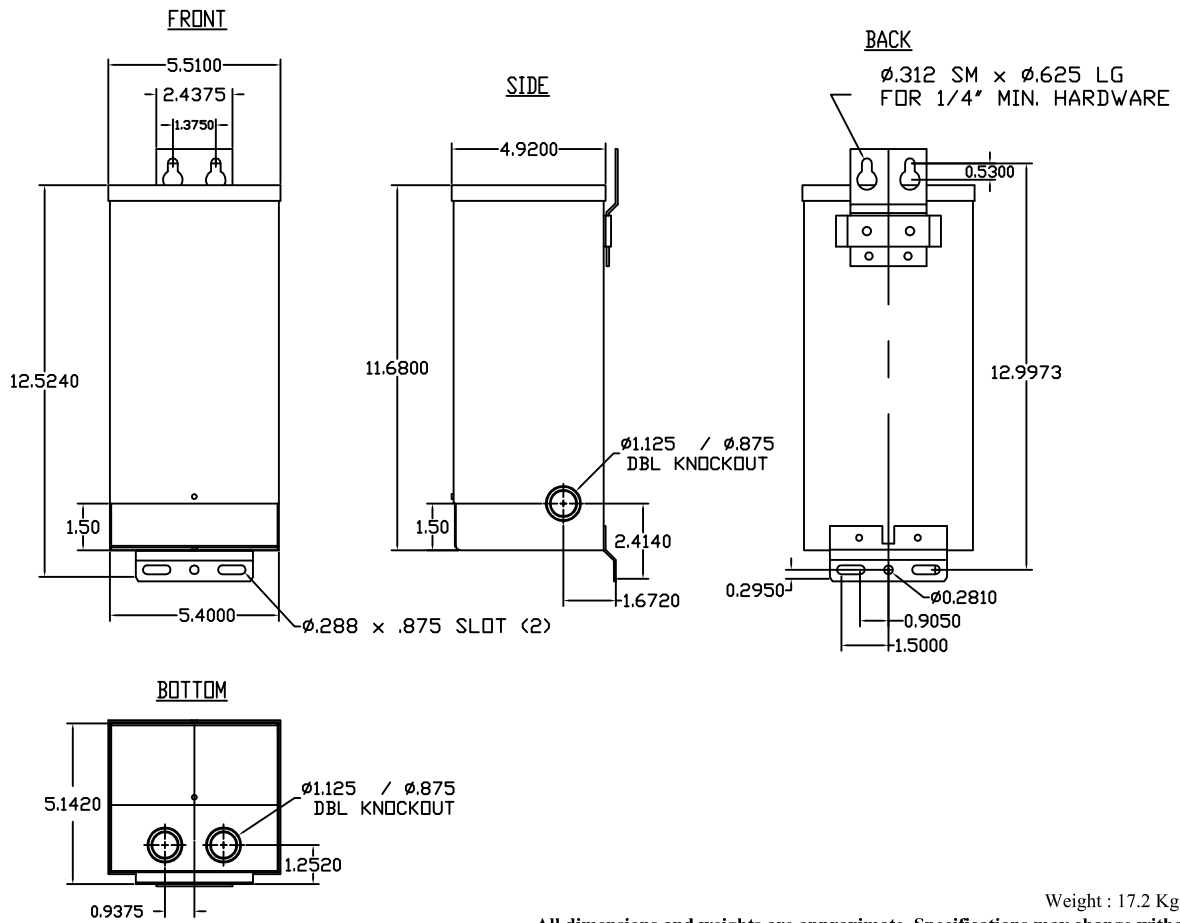
<b>PRIMARY VOLTAGE</b>
240/480

<b>SECONDARY VOLTAGE</b>
120/240



PRIMARY VOLTS	CONNECT PRIMARY LINES TO	INTER-CONNECT	CONNECT SECONDARY LINES TO
240	H1 to H3 H2 to H4		
480	H1 - H4	H2 to H3	
SECONDARY VOLT			
120		X1 to X3 X2 to X4	X1 - X4
240		X2 to X3	X1 - X4

**MECHANICAL SPECIFICATIONS: ( Dimensions = inches).**



Weight : 17.2 Kg ( 38 lbs )

All dimensions and weights are approximate. Specifications may change without notice.

					MODEL NUMBER: <b>DX 2000PHU</b>			
ZONE	REV	REVISION	DESCRIPTION	DATE	APPROVAL	Drawn by: SS	DWG NO. 71CUDX2000PHU-ENG	REV 00
DATE: JANUARY/24/13					PAGE: 1 of 1			