



Saves Your Energy

PRODUCT CARD

14.6.2013

# DPCP233011T.U

Name: **Cubo D enclosure**  
Size 230 x 300 x 111 mm, plain sides, transparent cover, PC  
Type: DPCP233011T.U  
EAN: 6438100116866



Description: Ensto Cubo D is a series of small enclosures with plain sides. Special features include fastening pods inside the cover and slots for printed circuit boards in the base.

Package: 1/1  
Unit: PCS



## Technical specification

Operating temperature (°C):	- 40 °C... +80 °C
Short term temperature range:	- 40 °C... +120 °C
Colour:	RAL 7035
Content:	Enclosure base, cover, cover screws, mounting screws, cover plugs for cover screws
Material, base:	Polycarbonate
Material, cover:	Polycarbonate
Material, cover screws:	Stainless steel
Material, gasket:	Polyurethane
Volume cm <sup>3</sup> :	765,90
Weight (kg):	1,107
Inner depth (mm):	97,5
Outer base depth (mm):	56
Outer cover height (mm):	55
Size (mm):	230 x 300 x 111
Degree of protection:	IP 66, IP 67
Environmental type UL:	4, 4X, 6, 12, 13
Flammability rating:	UL 746C 5V
Impact strength:	IK 08
Standard:	EN 62208, UL 508A, GOST
UL File no.:	E189312
UL category:	NITW

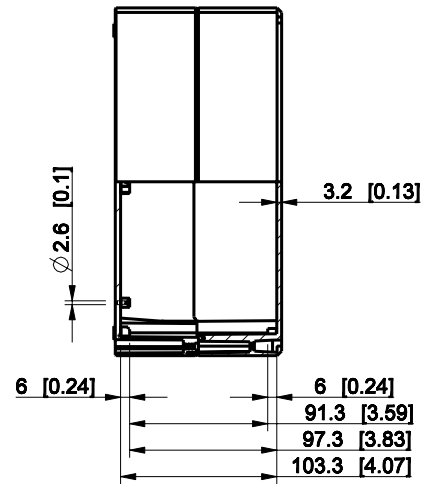
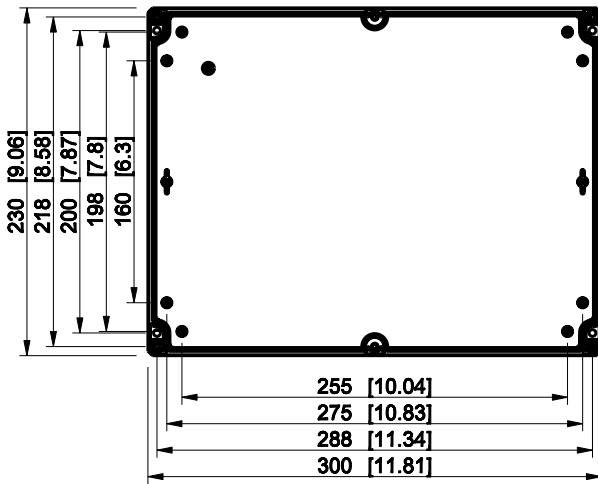
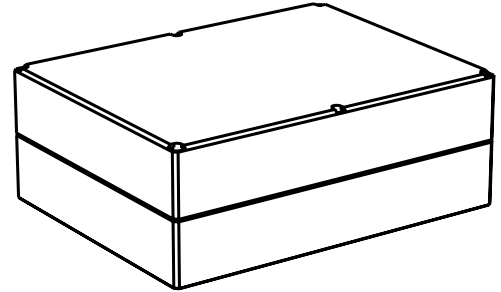
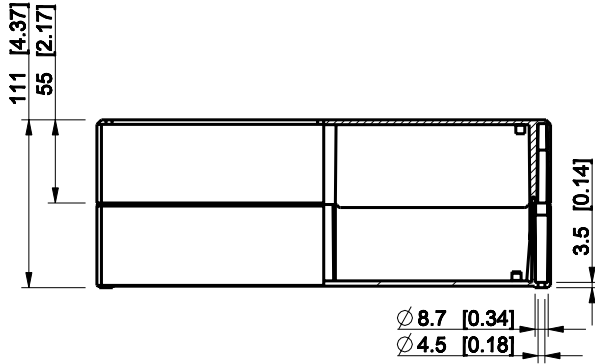
Ensto Finland Oy

Ensio Miettisen katu 2  
P.O.Box 77  
06101 Porvoo, Finland

Tel. +358 204 76 21  
Fax +358 204 76 2516

[www.ensto.com](http://www.ensto.com)

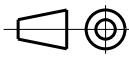
ID	Description	Date	By	Appr.
A				



Dimensions in mm [inches]

Material: Polycarbonate, fiberglass-reinforced	Color: RAL 7035
--	-----------------

Supplier:	Tool No:	Weight [kg]: 1.08	Volume:
-----------	----------	-------------------	---------



DPCP233011T

Scale	Date	18.12.08
1:5	By	PKos
-	Checked	
-	Ctrl	

Replaces:	
Replaced:	
Drw No:	A
Ref:	-
Code:	DPCP233011T
Sheet No:	

model DPCP233011T\_PART  
drawing CUBO\_D\_DRAWING