



Saves Your Energy

PRODUCT CARD

13.6.2013

DPCP121209T.U

Name: **Cubo D enclosure**
Size 120 x 122 x 86 mm, plain sides, transparent cover, PC
Type: DPCP121209T.U
EAN: 6438100116798
Description: Ensto Cubo D is a series of small enclosures with plain sides. Special features include fastening pods inside the cover and slots for printed circuit boards in the base.
Package: 1/1
Unit: PCS



Technical specification

Operating temperature (°C): - 40 °C... +80 °C
Short term temperature range: - 40 °C... +120 °C
Colour: RAL 7035
Content: Enclosure base, cover, cover screws, mounting screws, cover plugs for cover screws
Material, base: Polycarbonate
Material, cover: Polycarbonate
Material, cover screws: Stainless steel
Material, gasket: Polyurethane
Volume cm³: 125,90
Weight (kg): 0,288
Inner depth (mm): 72,0
Outer base depth (mm): 71
Outer cover height (mm): 15
Size (mm): 120 x 122 x 86
Degree of protection: IP 66, IP 67
Environmental type UL: 4, 4X, 6, 12, 13
Flammability rating: UL 746C 5V
Impact strength: IK 08
Standard: EN 62208, UL 508A, GOST
UL File no.: E189312
UL category: NITW

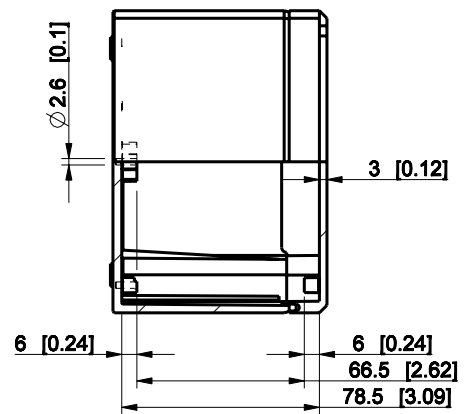
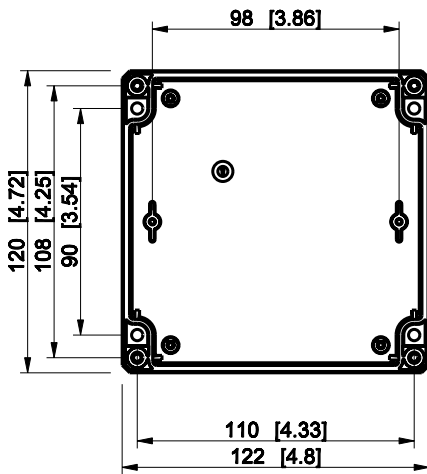
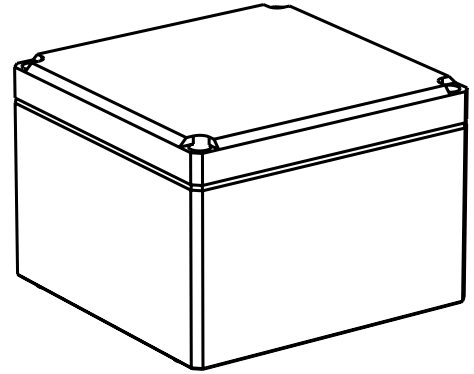
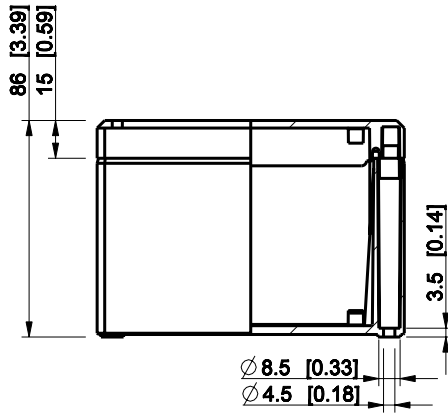
Ensto Finland Oy

Ensio Miettisen katu 2
P.O.Box 77
06101 Porvoo, Finland

Tel. +358 204 76 21
Fax +358 204 76 2516

www.ensto.com

ID	Description	Date	By	Appr.
A				

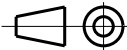


Dimensions in mm [inches]

Material: Polycarbonate, fiberglass-reinforced Color: RAL 7035

Supplier: Tool No: Weight [kg]: 0.27 Volume:

ENSTO
ENSTO CONTROL



DPCP121209T

Scale	Date	18.12.08
1:3	By	PKos
-	Checked	
-	Ctrl	

Replaces:	
Replaced:	
Drw No:	A
Ref:	-
Code:	DPCP121209T
Sheet No:	

model DPCP121209T_PART

drawing CUBO_D_2_DRAWING