



Saves Your Energy

PRODUCT CARD

13.6.2013

DPCP081606G.U

Name: **Cubo D enclosure**
Size 80 x 160 x 56 mm, plain sides, grey cover, PC
Type: DPCP081606G.U
EAN: 6438100116590

Description: Ensto Cubo D is a series of small enclosures with plain sides. Special features include fastening pods inside the cover and slots for printed circuit boards in the base.



Package: 1/1
Unit: PCS



Technical specification

Operating temperature (°C):	- 40 °C... +80 °C
Short term temperature range:	- 40 °C... +120 °C
Colour:	RAL 7035
Content:	Enclosure base, cover, cover screws, mounting screws, cover plugs for cover screws
Material, base:	Polycarbonate
Material, cover:	Polycarbonate
Material, cover screws:	Stainless steel
Material, gasket:	Polyurethane
Volume cm ³ :	71,68
Weight (kg):	0,194
Inner depth (mm):	42,0
Outer base depth (mm):	41
Outer cover height (mm):	15
Size (mm):	80 x 160 x 56
Degree of protection:	IP 66, IP 67
Environmental type UL:	4, 4X, 6, 12, 13
Flammability rating:	UL 746C 5V
Impact strength:	IK 08
Standard:	EN 62208, UL 508A, GOST
UL File no.:	E189312
UL category:	NITW

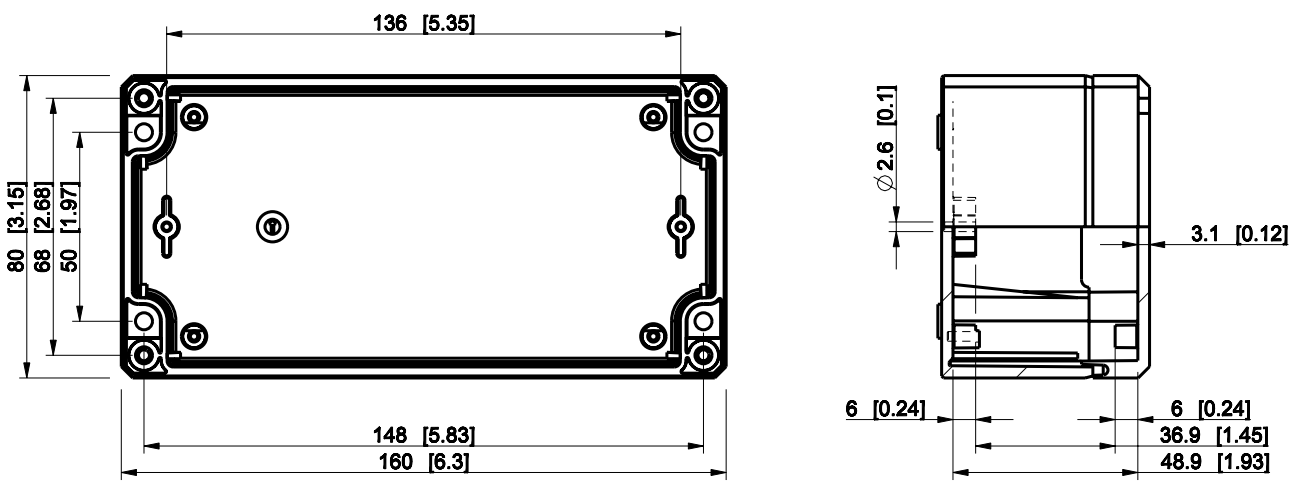
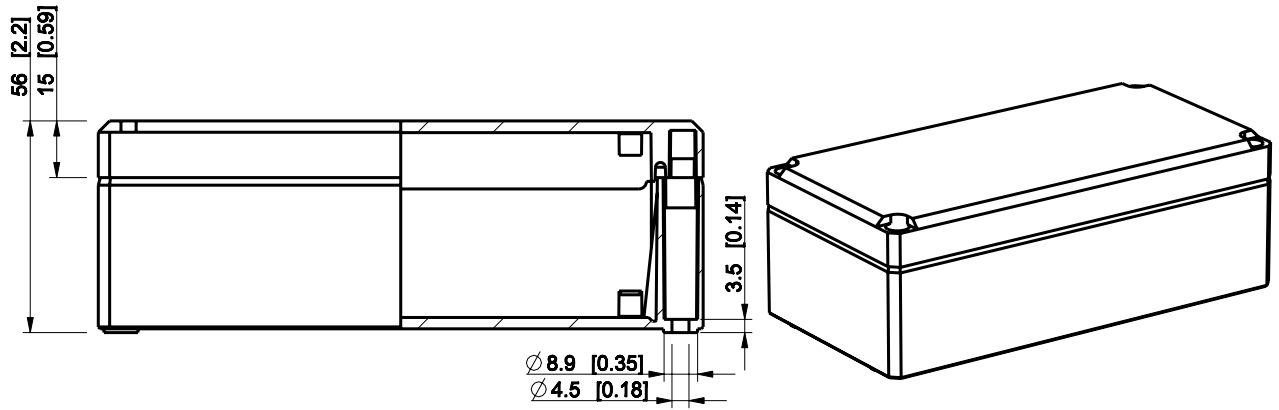
Ensto Finland Oy

Ensio Miettisen katu 2
P.O.Box 77
06101 Porvoo, Finland

Tel. +358 204 76 21
Fax +358 204 76 2516

www.ensto.com

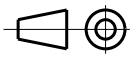
ID	Description	Date	By	Appr.
A				



Dimensions in mm [inches]

Material: Polycarbonate, fiberglass-reinforced Color: RAL 7035

Supplier: Tool No: Weight [kg]: 0.19 Volume:



DPCP081606G

Scale	Date	18.12.08
1:2	By	PKos
-	Checked	
-	Ctrl	

Replaces:	
Replaced:	
Drw No:	A
Ref:	-
Code:	DPCP081606G
Sheet No:	

model DPCP081606G PART
drawing CUBO_D_2_DRAWING