



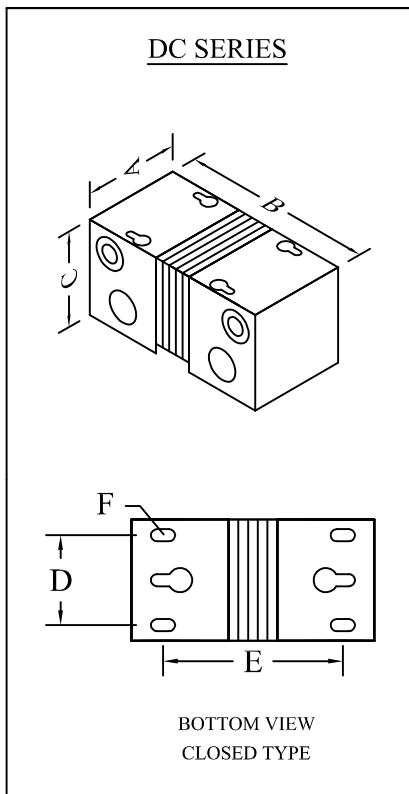
DC SERIES

PART # : DC _____ YZ

LR65566

E153598

ELECTRICAL SPECIFICATIONS



* 25VA@750VA
** 1000VA@6000VA

PHASE:

FREQ.:

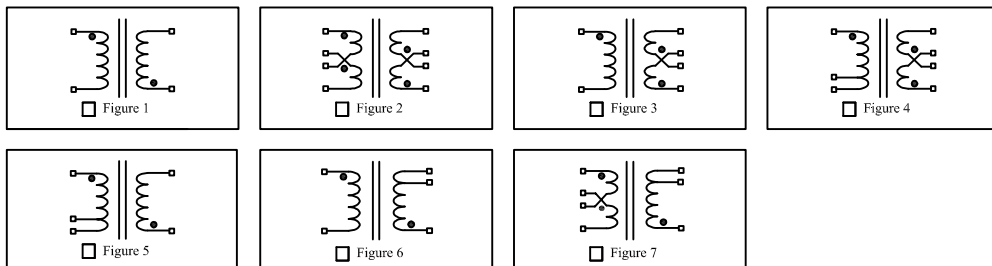
INSUL. CLASS

TEMP. RISE

SOUND LEVEL

YZ / VOLTAGE

<input type="checkbox"/> A = 12	<input type="checkbox"/> J = 347
<input type="checkbox"/> B = 24	<input type="checkbox"/> K = 380
<input type="checkbox"/> C = 12/24	<input type="checkbox"/> L = 347/380
<input type="checkbox"/> D = 16/32	<input type="checkbox"/> M = 416
<input type="checkbox"/> E = 120	<input type="checkbox"/> N = 208/416
<input type="checkbox"/> F = 208	<input type="checkbox"/> O = 480***
<input type="checkbox"/> G = 240	<input type="checkbox"/> P = 240/480
<input type="checkbox"/> H = 120/240	<input type="checkbox"/> Q = 600***
<input type="checkbox"/> I = 277	<input type="checkbox"/> S = _____
<input type="checkbox"/> U = 480/600***	



MECHANICAL SPECIFICATIONS: (Dimensions = inches).

VA	0025	0050	0100	0150	0200	0250	0350	0500	0750	1000	1500	2000	2500	3000	4000	5000	6000	
A	3.06	3.06	3.75	3.75	3.75	4.50	4.50	5.25	5.25	7.50	7.50	7.50	9.00	9.00	9.00	9.00	9.00	
B	5.16	5.55	6.18	6.38	6.88	6.60	7.60	8.60	9.60	8.60	8.80	9.80	11.25	11.25	12.25	13.25	14.25	
C	2.86	2.86	3.54	3.55	3.50	4.12	4.12	4.75	4.75	6.57	6.57	6.57	7.83	7.83	7.83	7.83	7.83	
D MTG	1.75	1.75	2.50	2.50	2.50	2.50	2.50	3.75	3.75	5.00	5.00	5.00	6.97	6.97	6.97	6.97	6.97	
E MTG	3.62	4.00	4.50	4.75	5.28	5.00	6.00	7.00	8.00	7.10	7.10	8.10	9.38	9.38	10.4	11.4	12.4	
F MTG	0.25*0.50					0.25*0.63					0.28*0.62							
LBS	1.95	2.82	4.60	5.37	6.89	9.30	12.9	15.6	20.9	30.2	36.2	47.1	66.9	66.9	85.2	101	115	
KG	0.89	1.30	2.09	2.44	3.13	4.22	5.86	7.08	9.48	13.7	16.4	21.3	30.4	30.4	38.7	45.7	52	

All dimensions and weights are approximate. Specifications may change without notice.

										MODEL NUMBER: DC _____ YZ							
ZONE	REV	REVISION	DESCRIPTION	DATE	APPROVAL	Drawn by: SS					DWG NO. 71CUDCR5-ENG				REV 05		
DATE: JANUARY/21/13											PAGE: 1 of 1						