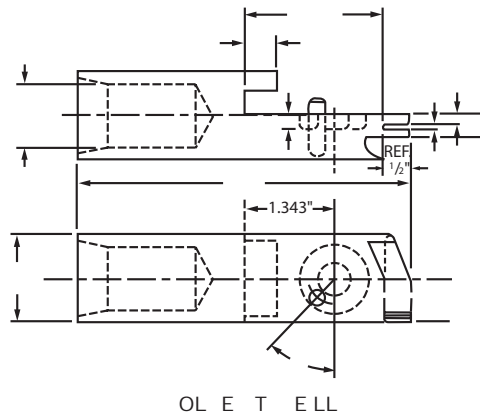


Copper Clasp Connectors

Type LLCS

- Power connectors designed for traction motor lead applications
- Manufactured from high strength brass alloy
- This style of connector is also known in the industry as “Quick Disconnects”, “Jack-Knives”, “Glad Hands”, and “Handshake Connectors”
- Custom clasp connector designs can be engineered to suit specific requirements
- For silver plating, suffix catalog number with “-SV”



CATALOG NUMBER	CABLE HOLE DIAMETER A (IN.)	DLO CONDUCTOR SIZE
LLCS38072	.94	1100/24
LLCS38073	1.00	1325/24