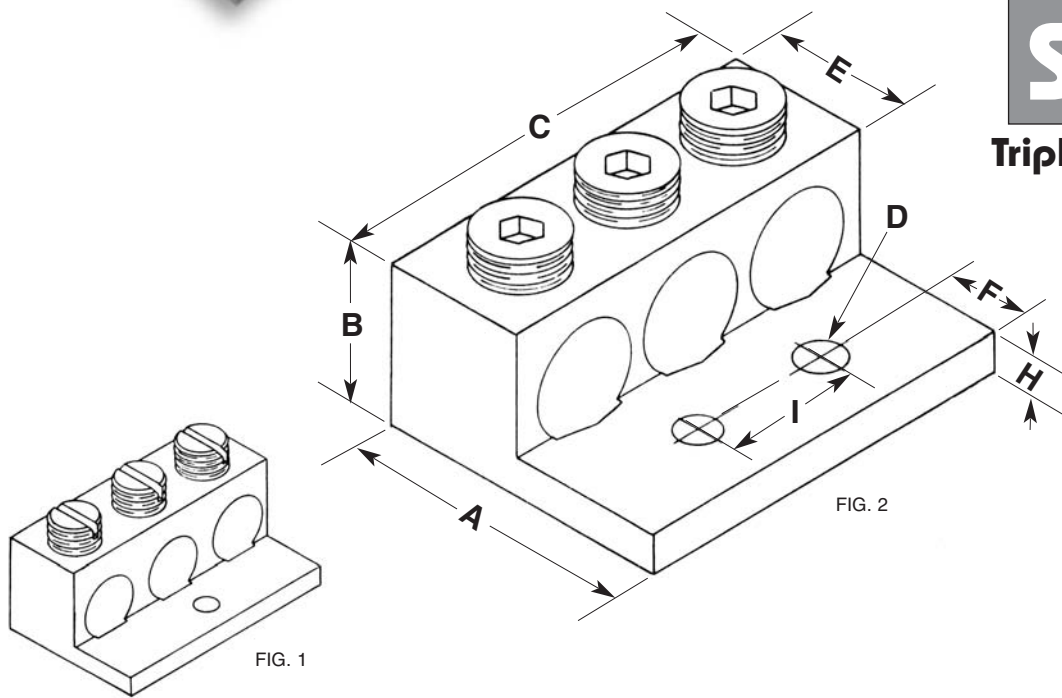


SL-4

Triple Lug - Al



CAT. NO.	FIG.	WIRE RANGE CU/AL	A	B	C	D	E	F	H	I
3-2T	1	2-14	1.156	.560	1.312	0.272	0.500	0.250	0.125	-
3-0T	1	1/0-14	1.468	.781	1.656	0.265	0.625	0.437	0.187	-
3-2/0T	1	2/0-14	1.468	.781	1.844	0.265	0.625	0.422	0.187	-
3-250T	2	250 MCM-6	2.562	1.187	2.406	0.391	1.000	0.875	0.250	1.250
3-350T	2	350 MCM-6	2.875	1.250	2.812	0.562	1.125	0.875	0.250	1.250
3-500T	2	500 MCM-4	2.812	1.562	3.312	0.562	1.218	0.875	0.312	2.000
3-600T	2	600 MCM-2	3.125	1.562	3.531	0.531	1.375	0.625	0.437	2.000
3-800T	2	800 MCM-300 MCM	3.375	1.937	4.625	0.656	1.625	0.875	0.500	2.000
3-1000T	2	1000 MCM-500 MCM	3.375	1.937	4.625	0.656	1.625	0.875	0.500	2.000

Material: High Strength, High Conductive Aluminum Alloy 6061T6 **Plating:** Tin Over Copper