



# DUAL RATED "I" BEAM STYLE SOLDERLESS CONNECTORS

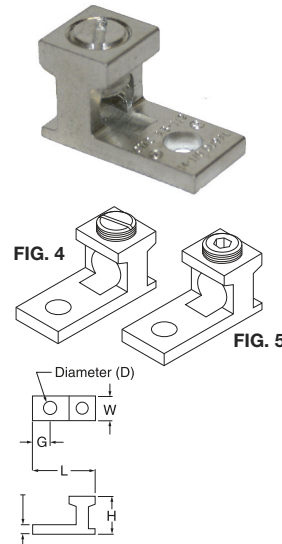
For use with both aluminum and copper conductors

- The unique ridges formed on the bottom of the contact surface are designed to provide contact points for an electrically secure joint of the lowest resistance for current flow.
- The screw used to clamp the conductors are designed to extend beyond the barrel sides of the conductor to allow better, more secure compression of the conductor. This design spreads the conductor strands to help dissipate heat, and improve its pull-out safety features and capabilities.
- The design of the wire way provides optimum transfer of current, creating a straight line flow through the connector for the least possible path of electrical resistance. A positive wire stop is also provided.

## Type LAI Single Hole

Part #	Fig. No.	Screw Type mm	Cond. Range AWG mm <sup>2</sup>	Dimensions (Inches)					
				Dimensions (millimetres)					
				H	W	L	G	D*	T
LAI2	4	SLOT	2-14 25-1.5	0.55 13.97	0.50 12.70	1.16 29.46	0.31 7.87	0.27 6.86	0.10 2.54
LAI0	4	SLOT or HEX	1/0-14 50-1.5	0.78 19.81	0.63 16.00	1.31 33.27	0.31 7.87	0.27 6.86	0.16 4.06
LAI2/0	4	SLOT or HEX	2/0-14 50-1.5	0.78 19.81	0.63 16.00	1.47 37.34	0.38 9.65	0.27 6.86	0.19 4.83
LAI250	5	.31H 7.87	250-6 120-16	1.09 27.69	0.88 22.35	2.00 50.80	0.44 11.18	0.33 8.38	0.22 5.59
LAI350	5	.31H 7.87	350-6 185-16	1.18 29.97	1.00 25.40	2.25 57.15	0.56 14.22	0.33 8.38	0.25 6.35
LAI500	5	.38H 9.65	500-4 240-16	1.44 36.58	1.25 31.75	2.62 66.55	0.63 16.00	0.41 10.41	0.31 7.87
LAI600	5	.38H 9.65	600-2 300-25	1.56 39.62	1.43 36.32	3.18 80.77	0.88 22.35	0.41 10.41	0.38 9.65

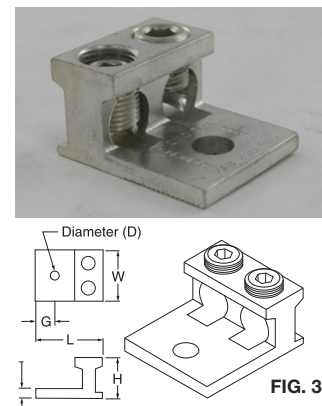
\*This Dimension can be altered per customer requirements.



## Type L2AI Two Conductor

Part #	Fig. No.	Screw Type mm	Cond. Range AWG mm <sup>2</sup>	Dimensions (Inches)					
				Dimensions (millimetres)					
				H	W	L	G	D*	T
L2AI250	3	.31H 7.87	250-6 120-16	1.09 27.69	1.62 41.15	2.56 65.02	0.53 13.46	0.44 11.18	0.22 5.59
L2AI500	3	.38H 9.65	500-4 240-16	1.44 36.58	2.40 60.96	2.62 66.55	0.63 16.00	0.56 14.22	0.31 7.87
L2AI600	3	.38H 9.65	600-2 300-25	1.44 36.58	2.40 60.96	3.18 80.77	0.63 16.00	0.56 14.22	0.31 7.87

\*This Dimension can be altered per customer requirements.



## Type PBI Panel board

Part #	Fig. No.	Screw Type mm	Cond. Range AWG mm <sup>2</sup>	Dimensions (Inches)					
				Dimensions (millimetres)					
				H	W	L	G	D*	T
PBI2600	1	.38H 9.65	600-2 300-25	3.00 76.20	1.50 38.10	4.90 124.46	0.38 9.65	0.41 10.41	0.50 12.70
PBI3600	2	.38H 9.65	600-2 300-25	3.00 76.20	2.50 63.50	4.90 124.46	0.38 9.65	0.41 10.41	0.50 12.70

\*This Dimension can be altered per customer requirements.

