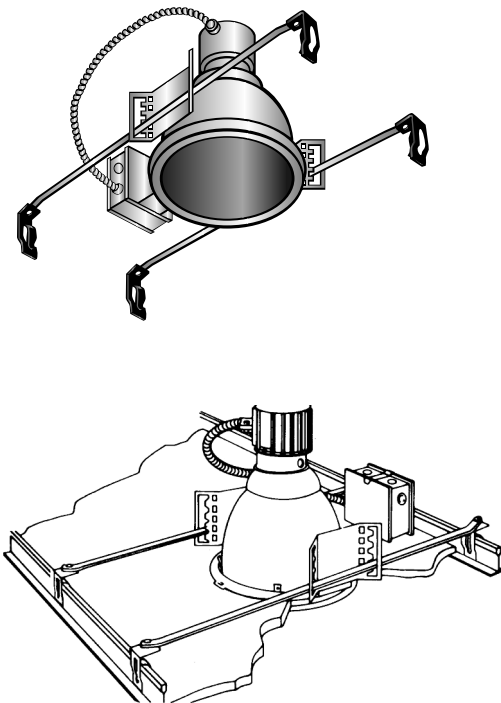


T-BAR CLIPS

LIGHTING SUPPORT ASSEMBLY

ZINC PLATED STEEL WITH HI-C HARDWARE

- 24" fixed span with adjustable fixture position.
- Installed with screwdriver.

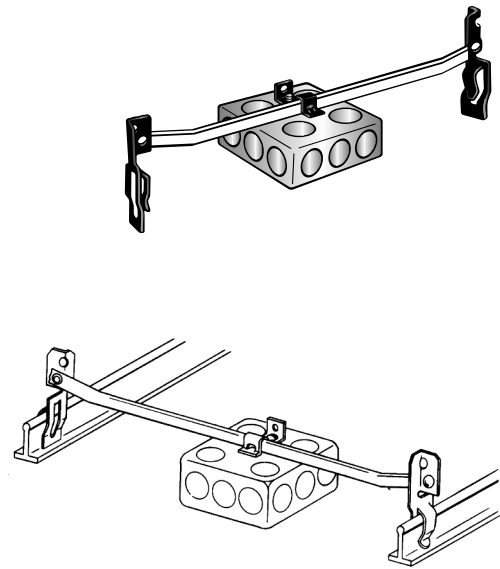


Part #	Description	Std. Pkg.
LS-BAR	Fits LIGHTOLIERS® and CALCULITE®5 Series fixtures	25 Sets

T-BAR ASSEMBLY

ZINC PLATED STEEL WITH HI-C HARDWARE

- Snap-on 24" span box hanger with dual height adjustment allows flush or 3/4" offset mount.
- Hardware included.



Part #	Description	Std. Pkg.
T-BAR	24" -long box hanger	50

<i>includes</i>		
BBC	Box mounting clip with screw	100