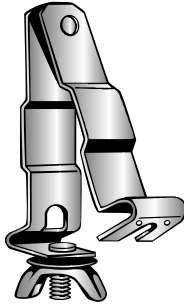


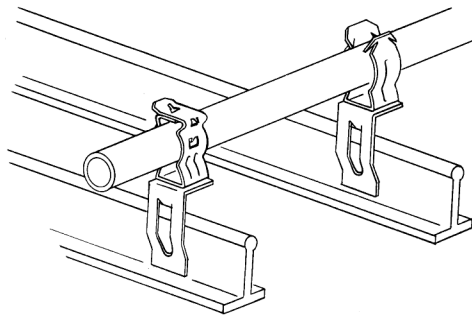
T-BAR CLIPS

DROP WIRE CLIPS



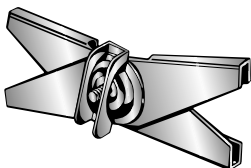
ZINC PLATED STEEL

- These clips support both the grid ceiling tee and fixture, transmitting the weight of the fixture directly to the building structure, thus relieving the tee grid from any load stress. Also adds rigidity and support for truer alignment of the tee grid. Drop Wire Clips are made of one accommodate various styles of tee grids.
- Stud is flat head, square shoulder screw, zinc plated. Assembled with washer and wing nut.



Part #	Fits Stud Length	Fits T-Bar	Std. Pkg.
DWC-1	5/8"	1"	50

SCISSOR CLIPS



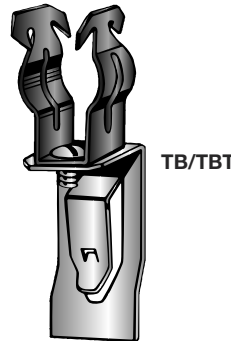
ZINC PLATED STEEL AFTER FABRICATION

- Two-piece clip for mounting fixtures, boxes or conduit hangers to 1" T-bar with Static Load Capacity of 100 lbs.
- Includes wing nut washer.

With Fast Support Hanger Assembled

Part #	Fits Stud Length	Fits T-Bar	Std. Pkg.
SCX-1XL	2"	1"	50

T-BAR CLIPS, ANGLE

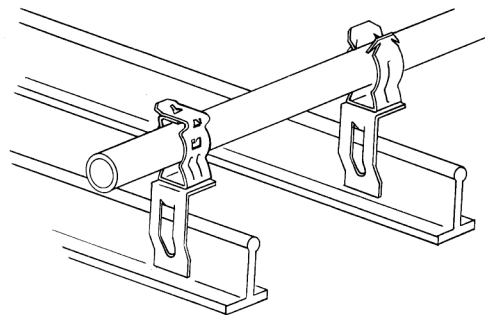


TB-50

HIGH CARBON STEEL

- Top mounted acoustical T-bar clip. Riveted assembly fits 3/8" to 1" conduit.
- Supports horizontal boxes to conduit above T-bar, clearing drop wires.
- NOT for hanging T-bars.

TB-KC-12-34



Part #	Description	Std. Pkg.
TBT	With 1/4" -20 thread impression	100
TB	With plain hole	100

With Fast Support Hanger Assembled

Part #	Fits EMT	Fits Rigid &IMC Conduit	Std. Pkg.
TB-50	1/2"	-	100
TB-75	3/4"	1/2"	100
TB-100	1"	3/4"	100

With Kombo Clip Assembled

Part #	Fits Conduit	Std. Pkg.
TB-KC-38	3/8"	100
TB-KC-12-34	1/2", 3/4"	100
TB-KC-1	1"	100