

STANDARD PUSHBUTTONS (Cont.)



Fig. 1



Fig. 2



Fig. 3



Fig. 4



Fig. 5



Fig. 6



Fig. 7

Retail Part No.	Bulk Part No.	Figure No.	Circuit Function	Poles/Throws	AMPS 125VAC	Amps 250 VAC	Bushing Length	Actuator Length	Actuator Color/Material	Frame/Bezel	Terminal Type	Mount Hole	Hardware	Spec. Drawing Page No.
35-3454	35-3454-BU	1	On Off	SPST††	10*	N/R	0.561"	0.410"	Chrm. Metal		6" WL	0.500"	N, KN	I-29 A
35-473	35-473-BU	2	NO or NC	SPDT	16†	16†	0.380"	0.125"	Red Plastic	Black Shroud	QC .250"	0.500"	N	I-29 B
35-458	35-458-BU	3	On Off	SPST	15	10	0.562"	0.238"	Chrm. Metal		Sc	0.500"	N, KN, Sc	I-29 C
35-3425	35-3425-BU	4	On Off	SPST	15	10	0.561"	0.415"	Chrm. Metal		Sc	0.500"	N, KN, Sc	I-29 D
35-3427	35-3427-BU	4	Off (On)	NO SPST	15	10	0.561"	0.415"	Chrm. Metal		Sc	0.500"	N, KN, Sc	I-29 D
35-3429	35-3429-BU	4	On (Off)	NC SPST	15	10	0.561"	0.415"	Chrm. Metal		Sc	0.500"	N, KN, Sc	I-29 D
35-3490	35-3490-BU	4	On On	SPDT	15	10	0.561"	0.415"	Chrm. Metal		Sc	0.500"	2 N, Sc	I-29 D
35-455	35-455-BU	5	Off On	SPST	16^	16	Snap-in	0.157"	Red Plastic	Black	QC .250"/Sd	0.992"		I-29 E
35-457	35-457-BU	5	Off (On)	NO SPST	16^	16	Snap-in	0.157"	Red Plastic	Black	QC .250"/Sd	0.992"		I-29 E
35-459	35-459-BU	5	Off (On)	NO SPST	16^	16	Snap-in	0.157"	Black Plastic	Black	QC .250"/Sd	0.992"		I-29 E
35-490	35-490-BU	6	On Off	DPDT††	8	6	0.730"	0.312"	OrangeΔ	Black	PCB/Sd Lug	0.530"	N, W	I-29 F
35-3484	35-3484-BU	7	Off (On)	NO SPST	****	****	1.200"	0.375"	Black Chrome	Black	Sc	0.625"	N, W	I-29 G

Notes: (On)/(Off)/(SPDT) = Momentary Action
 *Rated 8Amps @125V DC, 4Amps @250V DC, 1/3 HP @125VAC;
 **Rated 6Amps @120VAC/3Amps @240VAC
 ***Rated 3Amps @120VAC/1.5Amps @277VAC
 ****Rated (25, 15) Amps @ (6, 12) VDC
 ^ = 1/2 HP @ 125VAC, 1 HP @ 250 VAC
 † = Rated 1/2 HP @125 VAC, 0.2A @250 VDC

†† = Alternate Action
 Chrm. = Chrome
 HP = Horse Power
 35-490 comes with Nut and Washer Hardware
 35-490 pin can be removed to make momentary
 Δ = Mechanical Indicator, non-illuminated

NC = Normally Closed
 NO = Normally Open
 N/R = Not Rated
 QC = Quick Connect
 Sc = Screw

Sd = Solder
 W = Washer
 WL = Wire Lead
 KN = Knurled Nut
 N = Nut(s)

LIGHTED PUSHBUTTONS



Fig. 8



Fig. 9



Fig. 10



Fig. 11



Fig. 12

Switches

Retail Part No.	Bulk Part No.	Figure No.	Circuit Function	Poles/Throws	Amps 125 VAC	Amps 250 VAC	Amps 14 VDC	HP 125 VAC	Bushing Length	Actuator Length	Actuator Color	Actuator Style	Terminal Type	Mounting Hole	Spec. Drawing Page No.
35-480	35-480-BU	8^	On Off	SPST	10	10	10	1/4	Snap-in	0.360"	Red Lens	Square	QC .25"/Sd	1.10" x 0.88"	I-29 J
35-481††		8									Red Lens	Square			I-29 J
35-482	35-482-BU	8^	On Off	SPST	10	10	10	1/4	Snap-in	0.360"	Amber Lens	Square	QC .25"/Sd	1.10" x 0.88"	I-29 J
35-484	35-484-BU	8^	On Off	SPST	10	10	10	1/4	Snap-in	0.360"	Green Lens	Square	QC .25"/Sd	1.10" x 0.88"	I-29 J
35-3412	35-3412-BU	9	(1NC) (1NO)	SPDT		4†			0.295"	0.196"		Square	Sd Eyelet	0.638"	I-29 H
35-3414	35-3414-BU	9	1NC 1NO	SPDT		4†			0.295"	0.196"		Square	Sd Eyelet	0.638"	I-29 H
35-3430	35-3430-BU	9	2NC 2NO	DPDT		4†			0.295"	0.196"		Square	Sd Eyelet	0.638"	I-29 H
35-3431	35-3431-BU	10	2NC 2NO	DPDT		4†			0.295"	0.196"		Rq	Sd Eyelet	0.638"	I-29 I
35-3432	35-3432-BU	10	(1NC) (1NO)	SPDT		4†			0.295"	0.196"		Rq	Sd Eyelet	0.638"	I-29 I

Lens and Diffuser Kits

Choose a Lens and Diffuser Kit below to go with Fig. 9 and Fig. 10 above part numbers (Sold Separately)

Retail Part No.	Bulk Part No.	Figure No.	Style	Color	Spec. Drawing Page No.	Retail Part No.	Bulk Part No.	Figure No.	Style	Color	Spec. Drawing Page No.
35-3435	35-3435-BU	11	Square	Green	I-29 K	35-3440	35-3440-BU	12	Rectangle	Green	I-29 L
35-3437	35-3437-BU	11	Square	Red	I-29 K	35-3442	35-3442-BU	12	Rectangle	Red	I-29 L
35-3438	35-3438-BU	11	Square	Clear	I-29 K	35-3443	35-3443-BU	12	Rectangle	Clear	I-29 L
35-3439	35-3439-BU	11	Square	Yellow	I-29 K	35-3444	35-3444-BU	12	Rectangle	Yellow	I-29 L
	35-3400-BU		12V Replacement Bulb				35-3400-BU		12V Replacement Bulb		

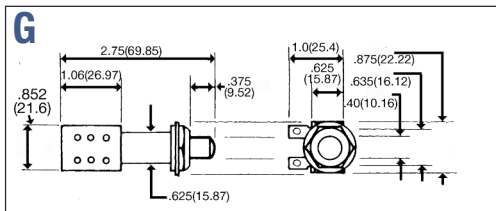
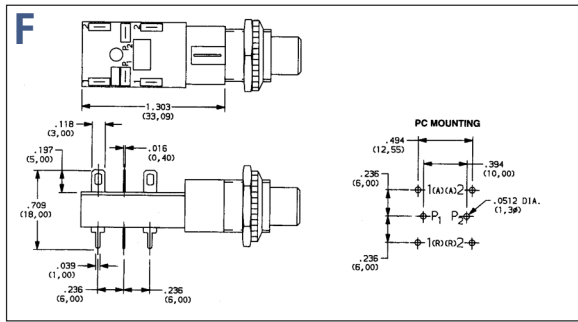
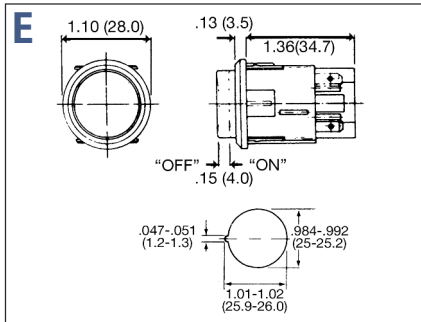
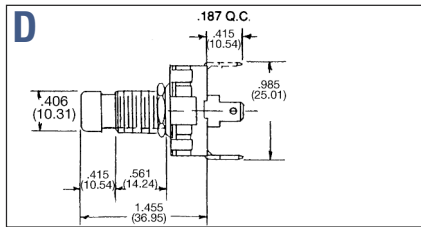
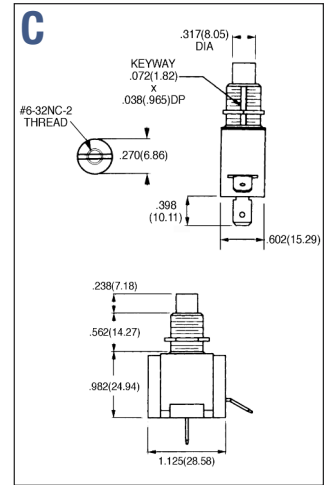
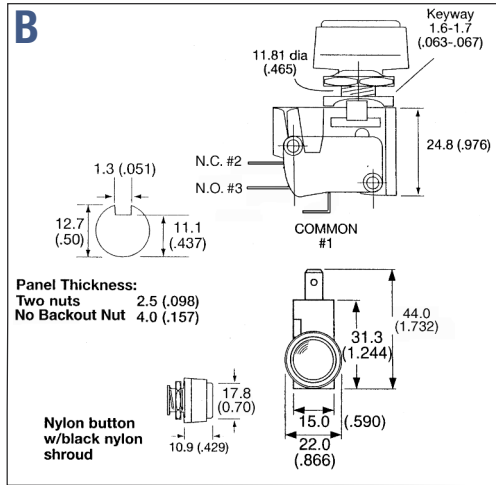
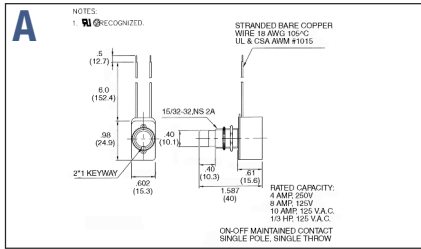
Notes: () = Momentary Function
 *NC = Normally Closed and NO = Normally Open
 ^ = 12V Incandescent
 PCB = Printed Circuit Board
 † = 0.2A @ 220VDC, 5mA @ 12VAC/DC

†† = Lens Only
 QC = Quick Connect
 Rq = Rectangle
 Sd = Solder

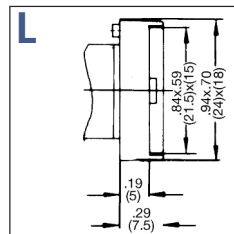
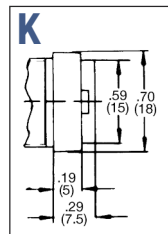
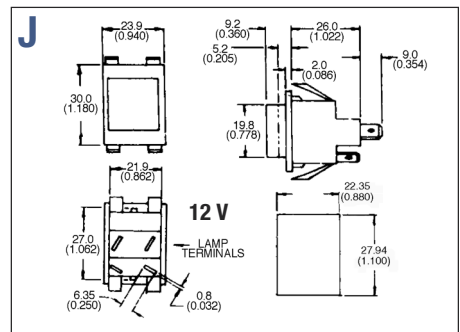
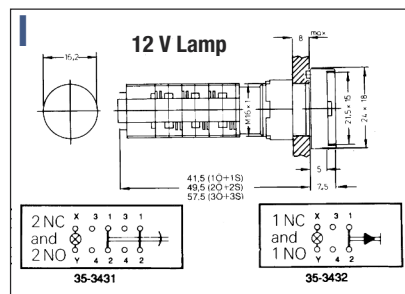
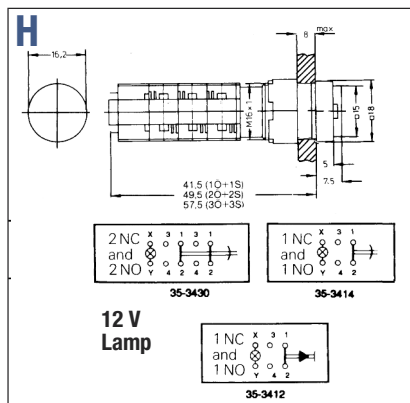
Note: All figures are for illustration purpose only, and the number/type of terminals may vary.

All quantities are single; BU's are packages of 25 Unless otherwise noted.

STANDARD PUSHBUTTONS (Cont.)



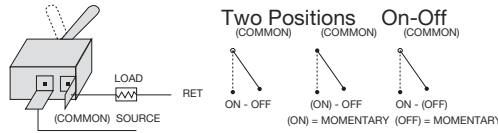
LIGHTED PUSHBUTTONS (Cont.)



SWITCHES INFORMATION

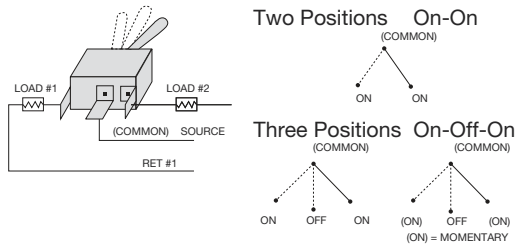
S.P.S.T. (Single Pole/ Single Throw)

A two terminal switch which opens or closes one circuit.



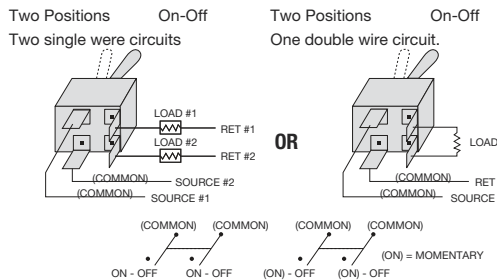
S.P.D.T. (Single Pole /Double Throw)

A three terminal switch that controls two single-wire circuits. Permits only one circuit to be energized at a time.



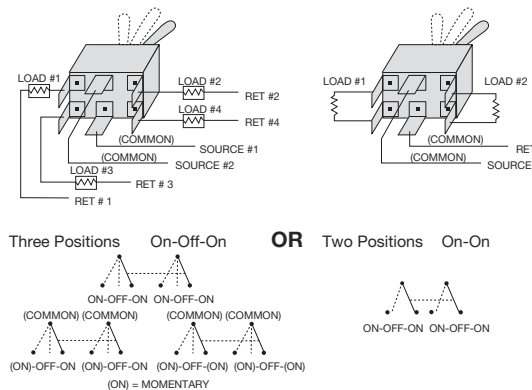
D.P.S.T.(Double Pole/Single Throw)

A four terminal switch that controls one double wire circuit or two single wire circuits.



D.P.D.T. (Double Pole/Double Throw)

A six terminal switch that controls two double wire circuits permitting only one circuit to be energized at a time, or four single wire circuits permitting only two circuits to be energized at a time.



ELECTRICAL TERMS

Ampere Electrical unit indicating rate of flow of electricity through a circuit.

Circuit Path taken by electrical current flowing through conductor from one terminal source of supply to another.

Current The movement of electrons through a conductor measured in amperes.

Double Pole A switch that operates simultaneously in two separate electric circuits.

Double Throw A switch that alternately completes a circuit at either end of its extreme positions.

Double Pole/Single Throw D.P.S.T. – A switch that has four terminals and is used to connect or disconnect two pairs of terminals simultaneously.

Double Pole/Double Throw D.P.D.T. – A switch that has six terminals and is used to connect one pair of terminals to either of the other two pairs.

Inductive Load Initial amps needed to engage a circuit and/or load which allows a momentary flow of current when a circuit is open. (Devices that create inductive loads are typically motor coils and solenoids.)

Lamp Load Light bulb current expressed in amps at a rated voltage.

Momentary Momentary action is obtained by holding switch in position with pressure. Upon release the switch returns to the previous position.

Reversing Reversing action is obtained by reversing the polarity of a switch with jumper wires or blades to change the rotation of a motor. Typical applications are winches, plows, radio antennas and fuel selector valves.

Single Pole A switch that opens, closes, or changes connection in a single conductor of an electrical circuit to a common contact.

Single Throw A switch that opens, closes, or completes a circuit at only one of the extreme positions of its actuator.

Single Pole/Single Throw S.P.S.T. – A two terminal switch which opens or closes one circuit.

Single Pole/Double Throw S.P.D.T. – A three terminal switch for connecting one terminal to either of two other terminal.

Volt The unit that measures the potential difference in electrical force or “pressure” between two points on a circuit.

Watt The unit of power that indicates the rate at which a device converts electric current to another form of energy, either heat or motion.

Service Tip

- Replacement switch must have same or higher rating as original switch.
- Unplug circuit or turn off power at electrical panel.
- Remove wires from old switch one-at-a-time and attach to new switch in same manner, or follow wiring diagram.
- For Screw Terminals – Twist stranded wire together. Loop wire clockwise around screw. Tighten securely.
- For Blade Terminals – Use Female push-on terminals. Crimp tightly on stranded wire. Make sure you have a snug fit.
- Turn on power.