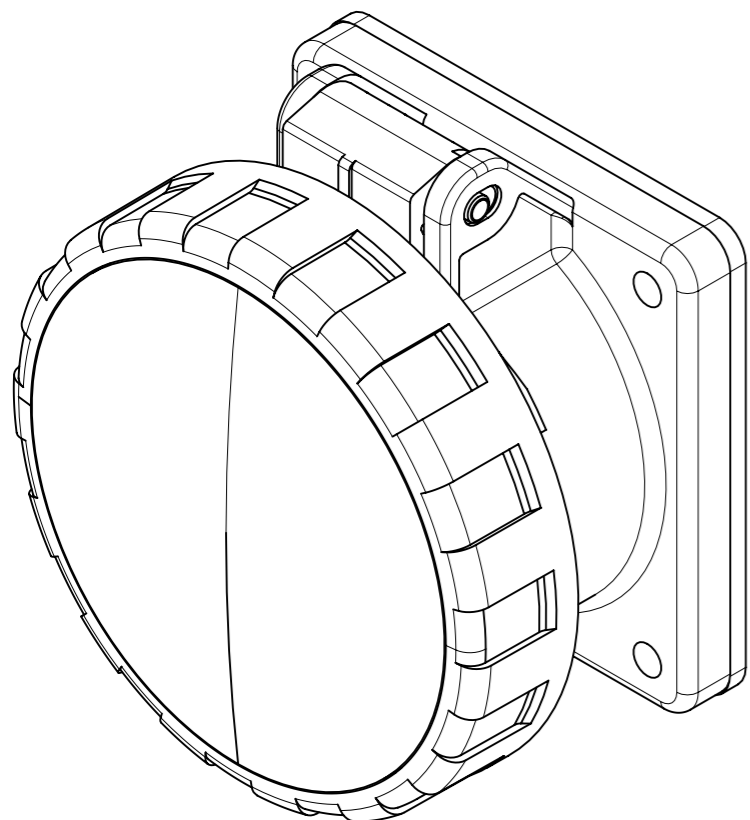


DIAMETRO FORATURA PANNELLO
 PANEL DRILLING HOLE



IL DISEGNO SI RIFERISCE ALLA POSIZIONE 6H
 DWG REFERS TO CLOCK POSITION 6H

At the end of the law, we reserve the ownership of this design may not be copied and transfer it to third parties or competitors	Format	A3	Scale	1:1	Mould N°	1000XXXX	Drawn	SCAME
	Tolerances for linear and angular dimensions without indication of specific tolerances: JS13 / UNI 286-1:2010							Date
SCAME S.p.A. PARRE - (Bergamo)	DESCRIPTION						Approved	
	PRESA PANNELLO 3P+N+T 32A IP67 UL						CODICE Sheet 1 / 1 4003638	