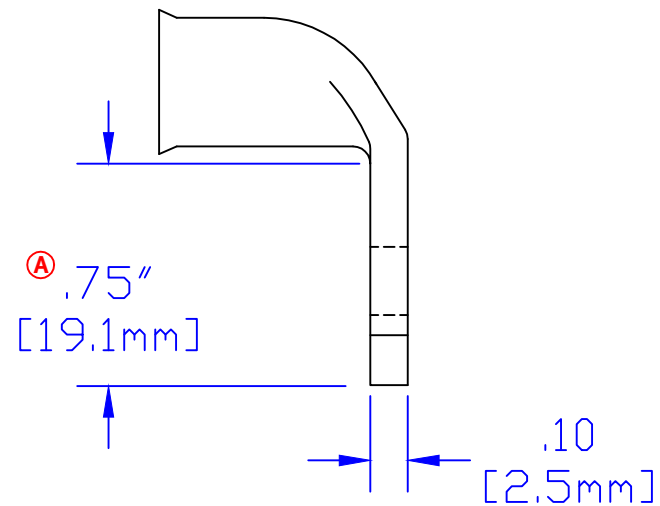
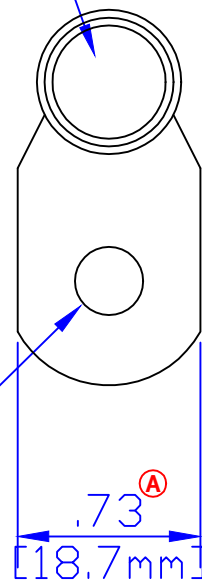


**ID sized for
1/0 ga [50mm²] cable**

**Hole for
5/16 [M8] Stud**



elecDirect.com	TITLE 1/0 ga [40mm ²] 90° 5/16 [M8]	
	PART # 5955-050EL	
Material & Treatment 100% Copper Tin plated		
	Sheet 1	Of 1