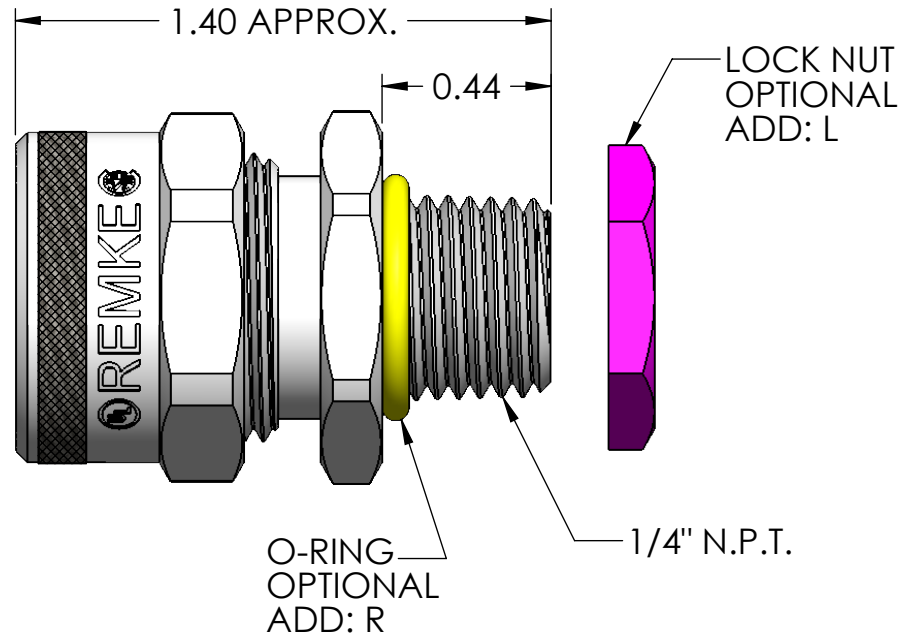


NUT



ITEM NO.	PART NUMBER	DESCRIPTION	MATERIAL	QTY
1	RSR-0000-B	BODY	ALUMINUM	1
2	SRB-003 - SRB-007	BUSHING	NEOPRENE	1
3	SW-000	WASHER	C.R.S. ZINC PLATED	1
4	RSR-000-N	NUT	ALUMINUM	1
5	LN-25	LOCK NUT	ADD: L, C.R.S. ZINC PLATED	1
6	O-100058	O-RING	ADD: R, BUNA-N	1

PART NUMBER	SEALING RANGE	BODY BORE
RSR-0003	.125 - .188	.340
RSR-0004	.188 - .250	.340
RSR-0005	.250 - .312	.340
RSR-0006	.312 - .375	.340
RSR-0007	.375 - .438	.340

REV.	DATE	CHANGE	UNLESS OTHERWISE SPECIFIED:	NAME	DATE	<b>REMKE</b> <b>REMKE INDUSTRIES</b> 310 CHADDICK DR, WHEELING, IL. 60090	
A	04/22/13	DRAWING RELEASED	DIMENSIONS ARE IN INCHES TOLERANCES: FRACTIONAL $\pm 1/64$ ANGULAR: MACH $\pm 1^\circ$ BEND $\pm 1^\circ$ ONE PLACE DECIMAL $\pm .015$ TWO PLACE DECIMAL $\pm .010$ THREE PLACE DECIMAL $\pm .005$	DRAWN	JCN	4/13	TITLE:
			INTERPRET GEOMETRIC TOLERANCING PER:	CHECKED			RSR-0000 SERIES
			MATERIAL	ENG APPR.			SIZE
			ALUMINUM	MFG APPR.			DWG. NO.
			FINISH	Q.A.			RSR-0000 ASSEMBLY
			DO NOT SCALE DRAWING	PROPRIETARY AND CONFIDENTIAL THE INFORMATION CONTAINED IN THIS DRAWING IS THE SOLE PROPERTY OF REMKE INDUSTRIES. ANY REPRODUCTION IN PART OR AS A WHOLE WITHOUT THE WRITTEN PERMISSION OF REMKE INDUSTRIES IS PROHIBITED.			SCALE: 2:1
							SHEET 1 OF 1