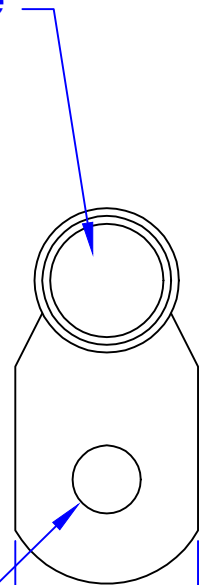
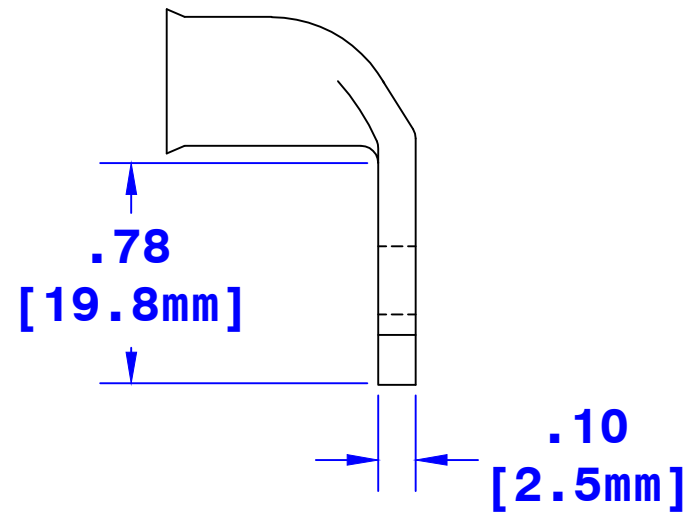



ID sized for  
1 ga [40mm<sup>2</sup>] cable



Hole for  
1/4 [M6]stud

.65  
[16.5mm]



  Material & Treatment <b>100% Copper</b> <b>Tin plated</b>	TITLE <b>1 ga [40mm<sup>2</sup>]</b> <b>90° 1/4 [M6]</b>
	PART # <b>5954-050DL</b>
	Sheet <b>1</b> of <b>1</b>