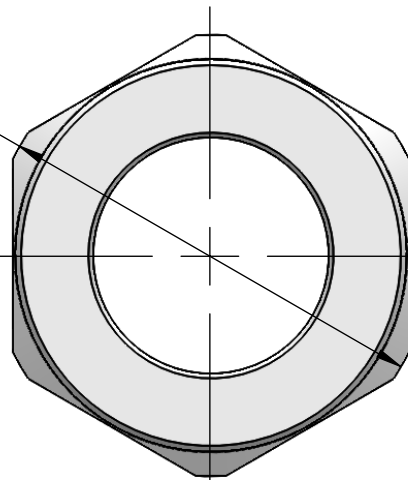
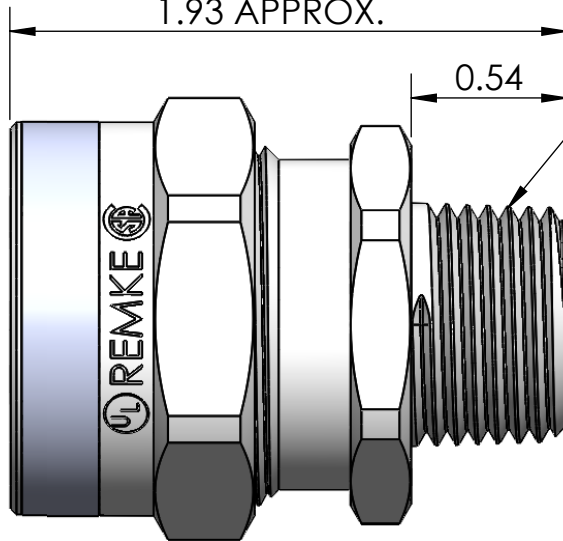


Ø 1.53



NUT

1.93 APPROX.



0.54

1/2 N.P.T.



LOCK NUT
OPTIONAL
ADD: L



PART NUMBER	SEALING RANGE	BODY BORE
RSR-1203	.125 - .188	.812
RSR-1204	.188 - .250	.812
RSR-1205	.250 - .312	.812
RSR-1206	.312 - .375	.812
RSR-1207	.375 - .437	.812
RSR-1208	.438 - .500	.812
RSR-1209	.500 - .562	.812
RSR-1210	.500 - .625	.812
RSR-1211	.562 - .688	.812
RSR-1212	.625 - .750	.812
RSR-1213	.688 - .812	.812

ITEM NO.	PART NUMBER	DESCRIPTION	MATERIAL	QTY.
1	RSR-1200-B	BODY	ALUMINUM	1
2	SRB-203 THRU SRB-213	BUSHING	NEOPRENE	1
3	SW-200	WASHER	C.R.S. ZINC PLATED	1
4	RSR-200-N	NUT	ALUMINUM	1
5	LN-50	LOCK NUT	ADD: L, C.R.S. ZINC PLATED	1

REV.	DATE	CHANGE	UNLESS OTHERWISE SPECIFIED:		NAME	DATE	 REMKE INDUSTRIES 310 CHADDICK DR, WHEELING, IL. 60090 TITLE: RSR-1200 SERIES	
A	5/01/13	DRAWING RELEASED	DIMENSIONS ARE IN INCHES TOLERANCES: FRACTIONAL ± 1/64 ANGULAR: MACH ± 1° BEND ± 1° ONE PLACE DECIMAL ± .015 TWO PLACE DECIMAL ± .010 THREE PLACE DECIMAL ± .005		DRAWN	JCN 5/13		SIZE A DWG. NO. RSR-1200 ASSEMBLY
			INTERPRET GEOMETRIC TOLERANCING PER:		CHECKED			
			MATERIAL		ENG APPR.			
			ALUMINUM		MFG APPR.			
			FINISH		Q.A.		SCALE: 3:2 SHEET 1 OF 1	

DO NOT SCALE DRAWING