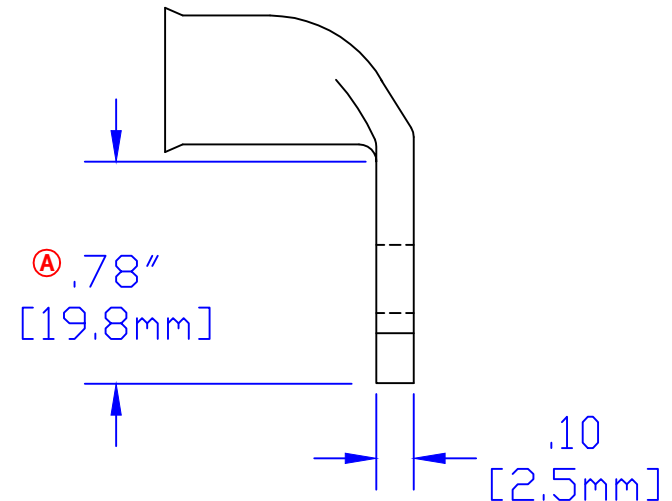
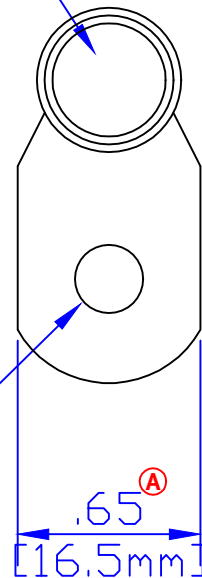


**ID sized for  
2 ga [32mm<sup>2</sup>] cable**

**Hole for  
1/4 [M6] stud**



	TITLE	<b>2 ga [32mm<sup>2</sup>] 90° 1/4 [M6]</b>
	PART #	<b>5953-050DL</b>
Material & Treatment		
<b>100% Copper Tin plated</b>	Sheet	<b>1</b> of <b>1</b>