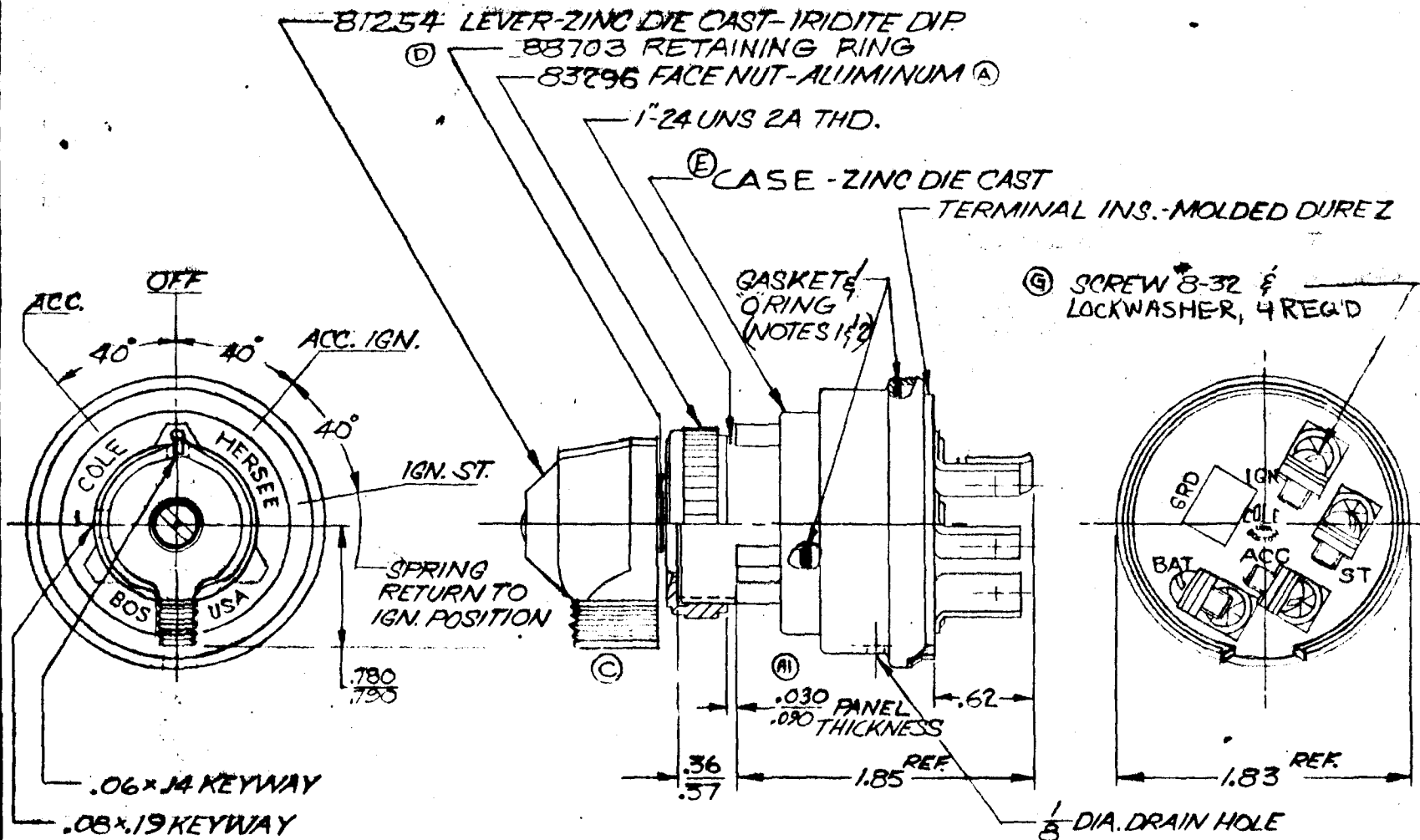


APPLICABLE SAE STANDARD OR RECOMMENDED PRACTICE SAEJ259

956-4124

NPM. 4-10-72

EX NONE



RATINGS AT 12V D.C.	
ACC. CIRCUIT	10 AMPS
IGN.	10
ST.	5

- NOTES:
1. SHAFT O-RING SEALED TO HOUSING.
 2. TERMINAL INSULATOR GASKET SEALED.
 3. ALL STEEL PARTS PLATED

DO NOT SCALE

LET	WAS	DATE	BY	LET	WAS	DATE	BY	MATERIAL	DRAWN	CHECKED	APPR'D	SCALE	Blk. 956 4111	DATE DRAWN
				C	81254 LEVER / 19843	4-6-72	RMT		CT	REC		FULL		1-12-72
G	ECN #00138	3/1/00	KE	B	SAE SPEC ADDED	3-5-74	3W	FINISH	COLE-HERSEE COMPANY BOSTON, MASS. 02127, U.S.A.					DATE BLUEPRINT
F	NOT ADDED / 25234	12/22/92	JH	A1	.060 / .110	17877	6Y							
E	HOUSING	8-6-86	P	A	83344	17877	10-4-72	TOLERANCES FRACTIONAL ±	4 POSITION IGN. & START SWITCH					956-4124
D	RING / 20329	10-18-78	R		ISSUE	(1-12-72)		DECIMAL ±0.010						

SPAULDING CO., INC.

COLE-HERSEE CO.