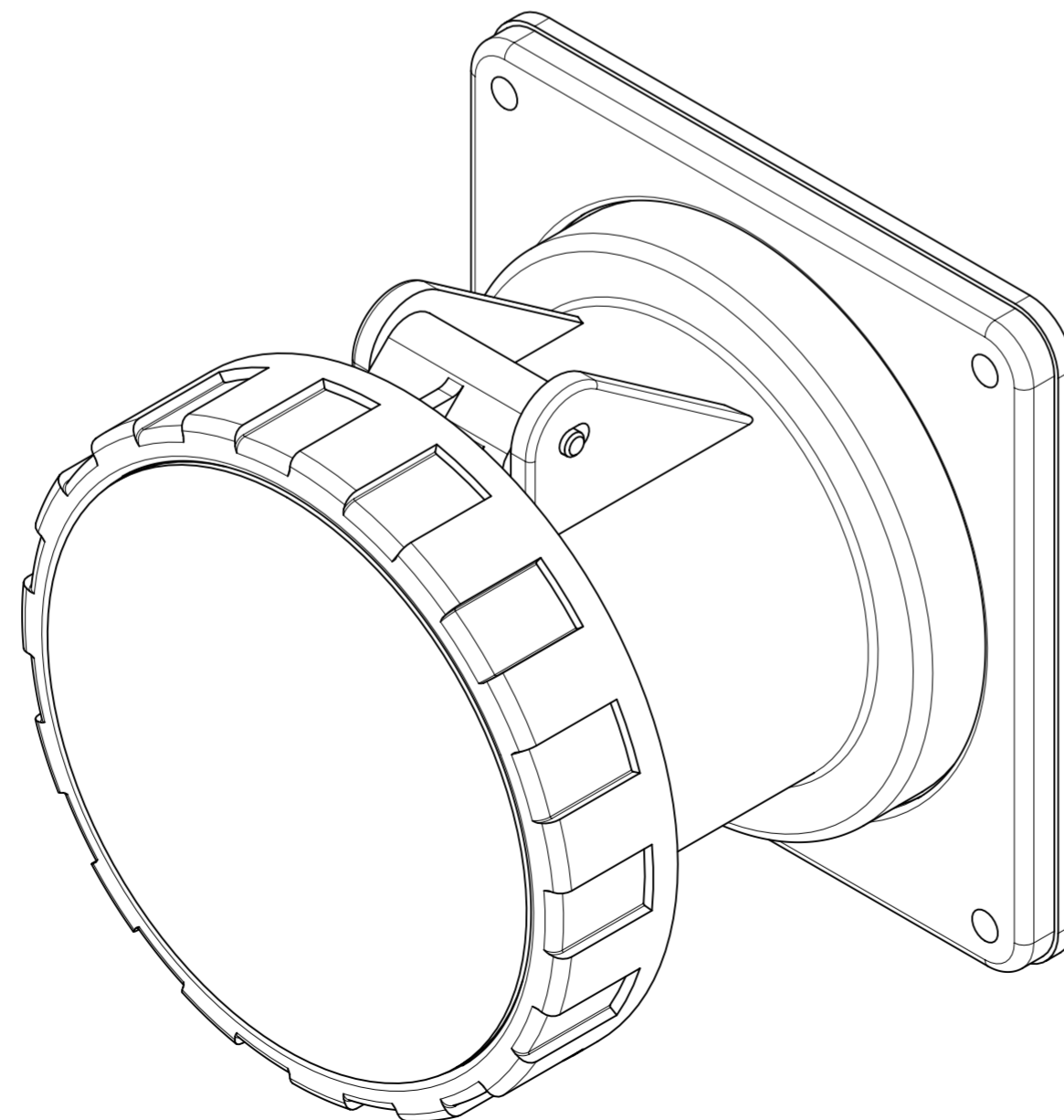
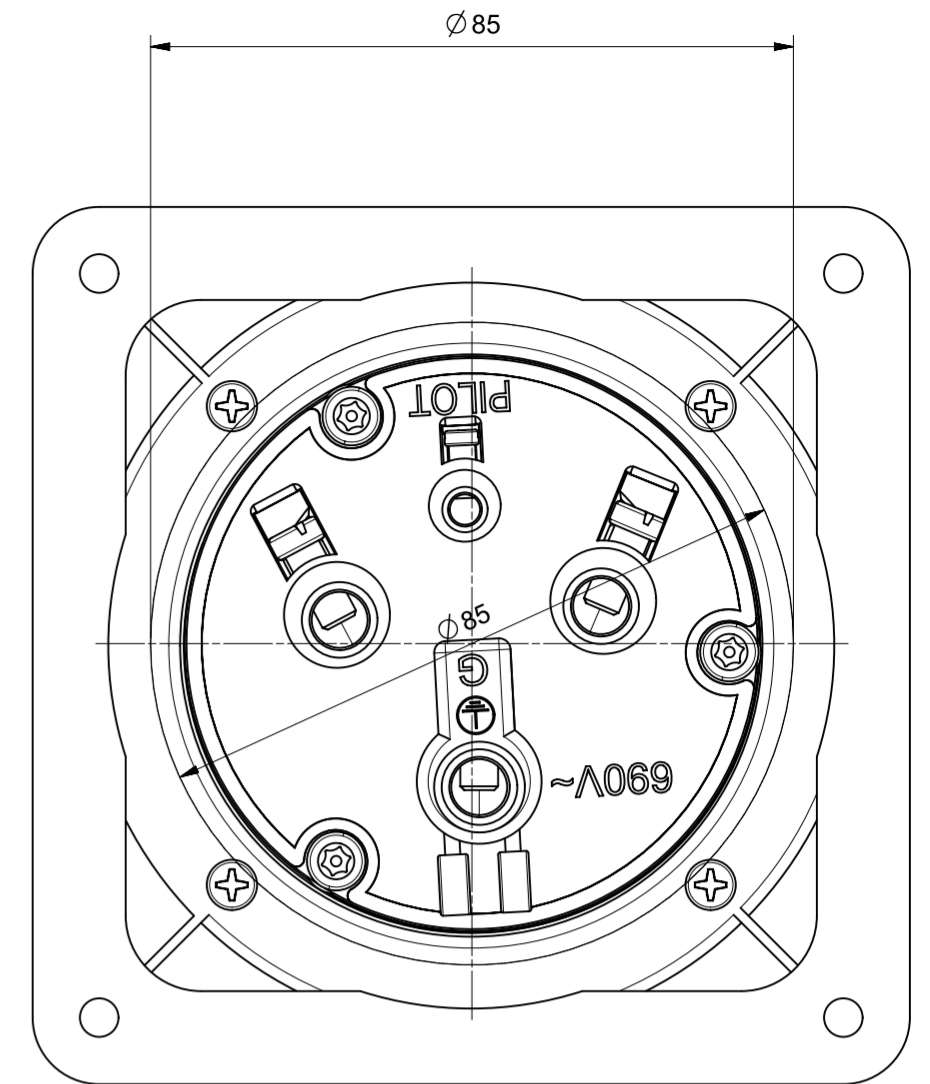
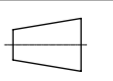



DIAMETRO FORATURA PANNELLO
PANEL DRILLING HOLE



IL DISEGNO SI RIFERISCE ALLA POSIZIONE 6H
DWG REFERS TO CLOCK POSITION 6H

At the end of the law, we reserve the ownership of this design may not be copied and transfer it to third parties or competitors	Format	A2	Scale	1:1	Mould N°	1000XXXX	Drawn	SCAME	
	Tolerances for linear and angular dimensions without indication of specific tolerances: JS13 / UNI 286-1:2010						 	Date	
SCAME S.p.A. PARRE - (Bergamo)	DESCRIPTION							CODE	Sheet 1 / 1
	PRESA PANNELLO 2P+T 63A IP67 UL							4003609	