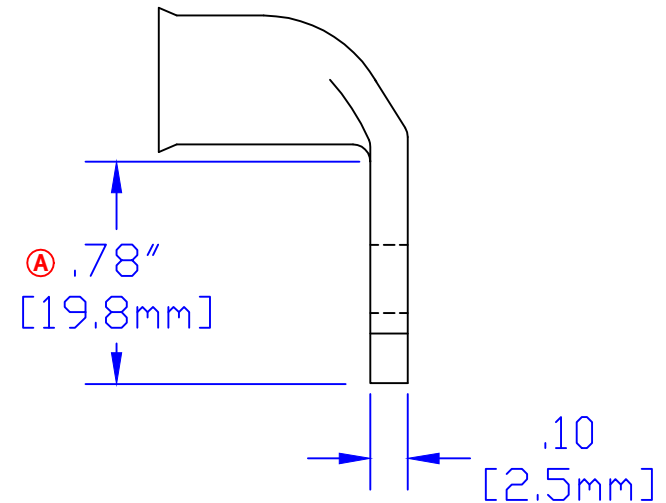
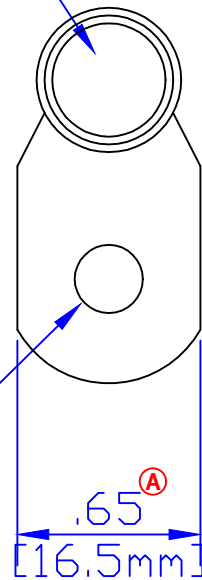


**ID sized for
2 ga [32mm²] cable**

**Hole for
3/8 [M10] stud**



elecDirect.com	TITLE 2 ga [32mm²] 90° 3/8 [M10]	
	PART # 5953-050FL	
Material & Treatment 100% Copper Tin plated	Sheet 1 of 1	