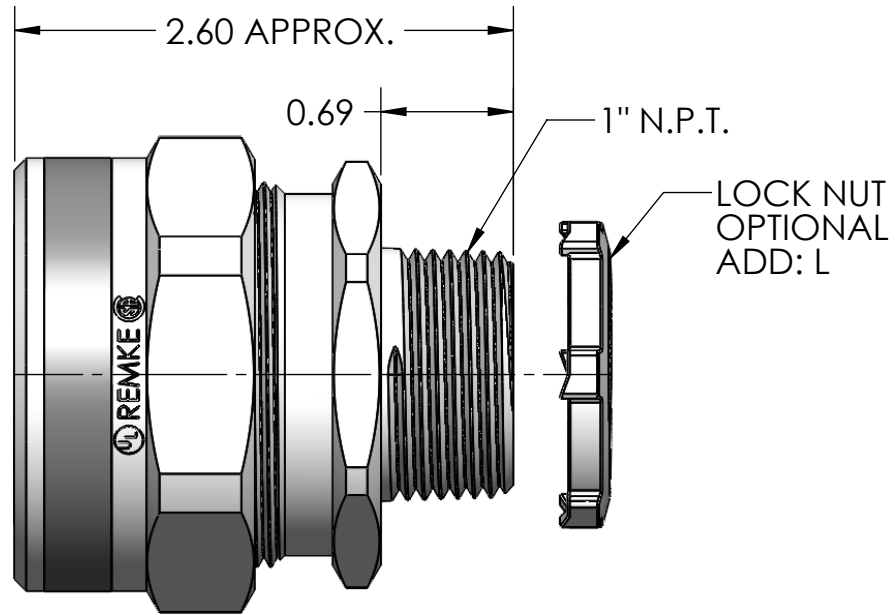


NUT



LOCK NUT  
OPTIONAL  
ADD: L



ITEM NO.	PART NUMBER	DESCRIPTION	MATERIAL	QTY.
1	RSR-3500-B	BODY	ALUMINUM	1
2	SRB-516-518-520-522	BUSHING	NEOPRENE	1
3	RSR-500-N	NUT	ALUMINIUM	1
4	LN-100	LOCK NUT	ADD: L, C.R.S. ZINC PLATED	1

PART NUMBER	SEALING RANGE	BODY BORE
RSR-3516	.875 - 1.000	1.060
RSR-3518	1.000 - 1.125	1.060
RSR-3520	1.125 - 1.250	1.060
RSR-3522	1.250 - 1.375	1.060

REV.	DATE	CHANGE	UNLESS OTHERWISE SPECIFIED:	NAME	DATE	<b>REMKE</b> <b>REMKE INDUSTRIES</b> 310 CHADDICK DR, WHEELING, IL. 60090	
A	4/22/13	DRAWING RELEASED	DIMENSIONS ARE IN INCHES TOLERANCES: FRACTIONAL $\pm 1/64$ ANGULAR: MACH $\pm 1^\circ$ BEND $\pm 1^\circ$ ONE PLACE DECIMAL $\pm .015$ TWO PLACE DECIMAL $\pm .010$ THREE PLACE DECIMAL $\pm .005$	DRAWN	JCN	4/13	TITLE:  RSR-3500 SERIES
			INTERPRET GEOMETRIC TOLERANCING PER:	CHECKED			
			MATERIAL	ENG APPR.			SIZE DWG. NO. <b>A</b> RSR-3500 ASSEMBLY
			ALUMINUM	MFG APPR.			
			FINISH	Q.A.			SCALE: 1:1 SHEET 1 OF 1
			DO NOT SCALE DRAWING	<b>PROPRIETARY AND CONFIDENTIAL</b> THE INFORMATION CONTAINED IN THIS DRAWING IS THE SOLE PROPERTY OF REMKE INDUSTRIES. ANY REPRODUCTION IN PART OR AS A WHOLE WITHOUT THE WRITTEN PERMISSION OF REMKE INDUSTRIES IS PROHIBITED.			