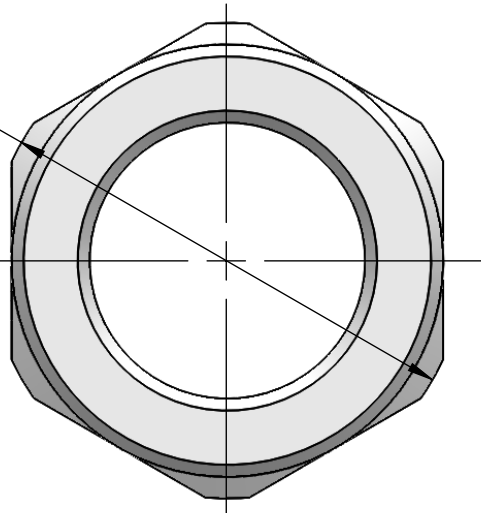


Ø 2.48

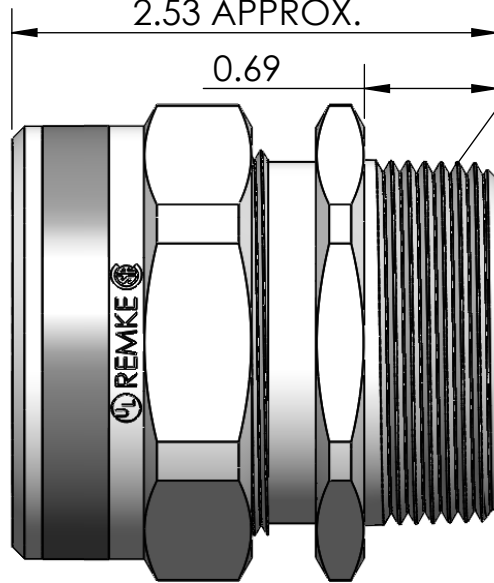


NUT

2.53 APPROX.

0.69

1 1/2 N.P.T.



LOCK NUT  
OPTIONAL  
ADD: L



CATALOG NUMBER	SEALING RANGE	BODY BORE
RSR-506	.250 - .375	1.320
RSR-510	.500 - .626	1.320
RSR-511	.562 - .687	1.320
RSR-512	.625 - .750	1.320
RSR-513	.688 - .812	1.320
RSR-414	.750 - .875	1.320
RSR-515	.812 - .937	1.320
RSR-516	.875 - 1.000	1.320
RSR-517	.937 - 1.062	1.320
RSR-518	1.000 - 1.125	1.320
RSR-519	1.062 - 1.187	1.320
RSR-520	1.125 - 1.250	1.320
RSR-522	1.250 - 1.375	1.320
RSR-523	1.375 - 1.450	1.320

ITEM NO.	PART NUMBER	DESCRIPTION	MATERIAL	QTY.
1	RSR-500-B	BODY	ALUMINUM	1
2	SRB-506 THRU SRB-523	BUSHING	NEOPRENE	1
3	SW-500	WASHER	C.R.S. ZINC PLATED	1
4	RSR-500-N	NUT	ALUMINUM	1
5	LN-150	LOCK NUT	ADD: L, C.R.S. ZINC PLATED	1

REV.	DATE	CHANGE	UNLESS OTHERWISE SPECIFIED:	NAME	DATE	<b>REMKE</b> <b>REMKE INDUSTRIES</b> 310 CHADDICK DR, WHEELING, IL. 60090	
A	4/22/13	DRAWING RELEASED	DIMENSIONS ARE IN INCHES TOLERANCES: FRACTIONAL ± 1/64 ANGULAR: MACH ± 1° BEND ± 1° ONE PLACE DECIMAL ± .015 TWO PLACE DECIMAL ± .010 THREE PLACE DECIMAL ± .005	DRAWN JCN CHECKED ENG APPR. MFG APPR. Q.A.	4/13	TITLE: <b>RSR-500 SERIES</b>	
			INTERPRET GEOMETRIC TOLERANCING PER: MATERIAL <b>ALUMINUM</b> FINISH	<b>PROPRIETARY AND CONFIDENTIAL</b> THE INFORMATION CONTAINED IN THIS DRAWING IS THE SOLE PROPERTY OF REMKE INDUSTRIES. ANY REPRODUCTION IN PART OR AS A WHOLE WITHOUT THE WRITTEN PERMISSION OF REMKE INDUSTRIES IS PROHIBITED.		SIZE <b>A</b> DWG. NO. <b>RSR-500 ASSEMBLY</b>	
			DO NOT SCALE DRAWING			SCALE: 1:1	SHEET 1 OF 1