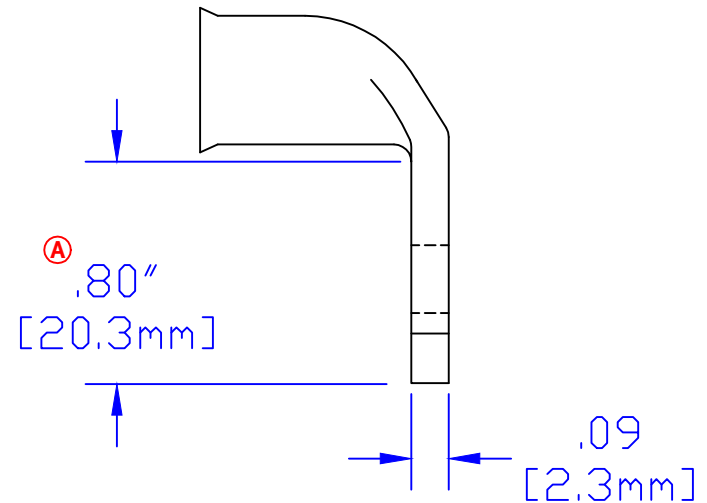
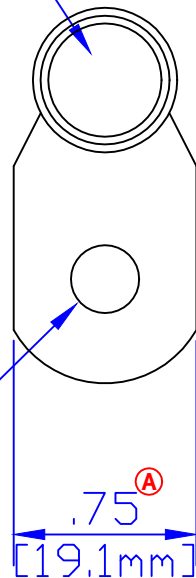


ID sized for
1 ga [40mm²] cable

Hole for
1/2 [M12] Stud



elecDirect.com	TITLE 1 ga [40mm²] 90° 1/2 [M12]	
	PART # 5954-050HL	
Material & Treatment 100% Copper Tin plated		
	Sheet 1	Of 1