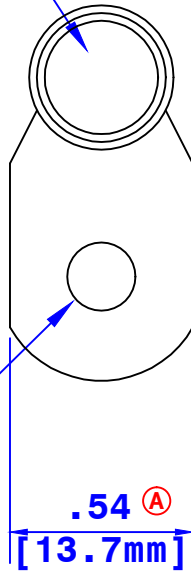
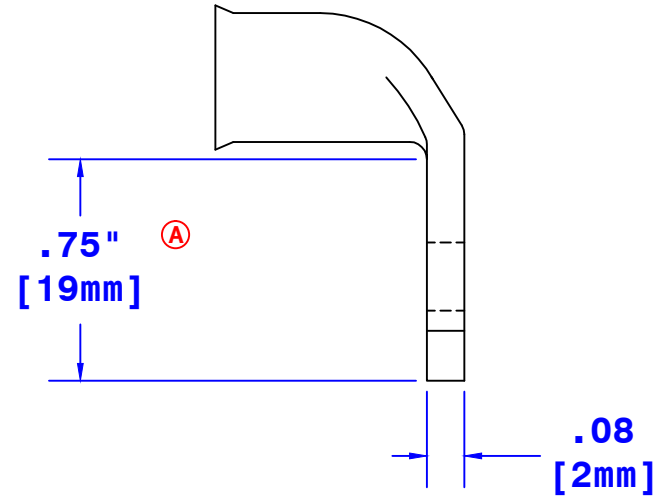


ID sized for
4 ga [19mm²] cable



Hole for
5/16 [M8] stud



	TITLE 4 Ga. [19mm ²] Straight 5/16[M8]	
	PART # 5952-050EL	
Material & Treatment 100% Copper Tin plated		
	Sheet 1	Of 1