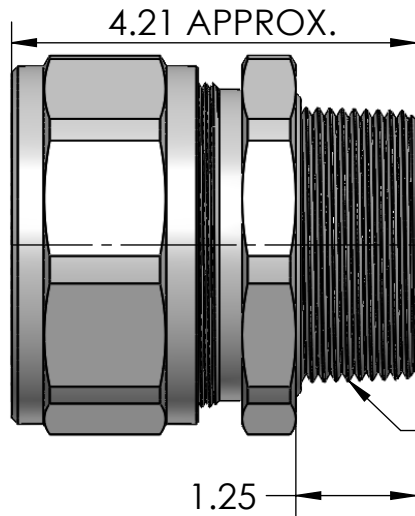
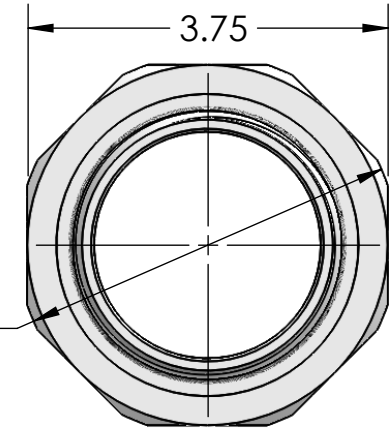


NUT



LOCK NUT  
OPTIONAL  
ADD: L OR LS

2-1/2 N.P.T.



BODY

ITEM NO.	PART NUMBER	DESCRIPTION	DESCRIPTION	QTY.
1	WH-6-R	O-RING	BUNA-N	1
2	RSSS-700-B	BODY	304 STAINLESS	1
3	SRB-717 THRU SRB-739	BUSHING	NEOPRENE	1
4	SW-902	WASHER	DELFIN	1
5	RSSS-700-N	NUT	304 STAINLESS	1
6	LN-250	LOCK NUT	ADD: L C.R.S. ZINC PLATED	1
7	LNSS-250	LOCK NUT	ADD:LS STAINLESS STEEL	1

CATALOG NUMBER	SEALING RANGE	BODY BORE
RSSS-717	.938 - 1.062	2.360
RSSS-723	1.314 - 1.438	2.360
RSSS-725	1.438 - 1.563	2.360
RSSS-729	1.688 - 1.812	2.360
RSSS-731	1.812 - 1.938	2.360
RSSS-733	1.938 - 2.062	2.360
RSSS-735	2.062 - 2.188	2.360
RSSS-737	2.188 - 2.312	2.360
RSSS-739	2.312 - 2.438	2.360

REV.	DATE	CHANGE	UNLESS OTHERWISE SPECIFIED:	NAME	DATE	<b>REMKE</b> <b>REMKE INDUSTRIES</b> 310 CHADDICK DR, WHEELING, IL. 60090
A	5/13/13	DRAWING RELEASED	DIMENSIONS ARE IN INCHES TOLERANCES: FRACTIONAL ± 1/64 ANGULAR: MACH ± 1° BEND ± 1° ONE PLACE DECIMAL ± .015 TWO PLACE DECIMAL ± .010 THREE PLACE DECIMAL ± .005 INTERPRET GEOMETRIC TOLERANCING PER: MATERIAL <b>STAINLESS</b> FINISH DO NOT SCALE DRAWING	DRAWN JCN CHECKED ENG APPR. MFG APPR. Q.A.	5/13	
				<b>PROPRIETARY AND CONFIDENTIAL</b> THE INFORMATION CONTAINED IN THIS DRAWING IS THE SOLE PROPERTY OF REMKE INDUSTRIES. ANY REPRODUCTION IN PART OR AS A WHOLE WITHOUT THE WRITTEN PERMISSION OF REMKE INDUSTRIES IS PROHIBITED.		SIZE <b>A</b> DWG. NO. <b>RSSS-700 ASSEMBLY</b>
				SCALE: 1:2		SHEET 1 OF 1