

NOTES:

① MAT'L: COPPER

PLATING: ELECTRO-TIN (.0003 MIN.)

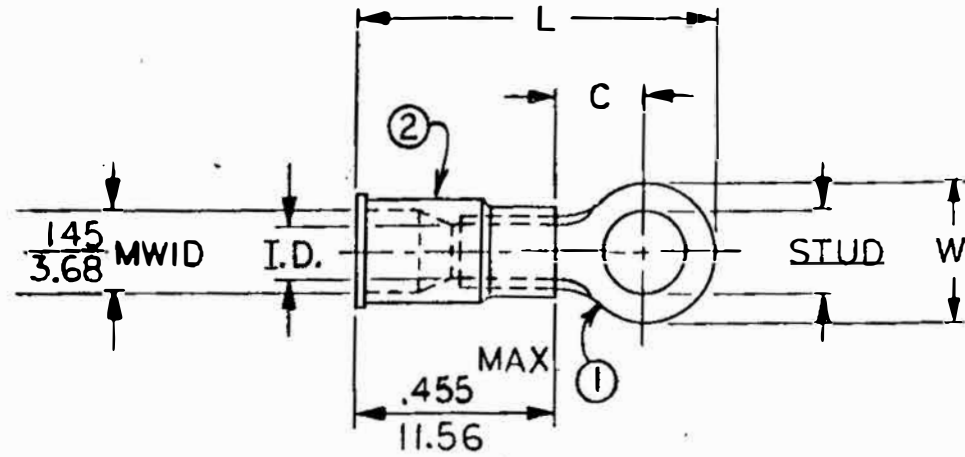
② INSULATION: MOLDED PVC (RED)

STUD SIZES: ($\pm .005$)

- 02 = .094
- 04 = .119
- 06 = .146
- 08 = .173
- 10 = .198**
- 14 = .265
- 56 = .328
- 38 = .390

"UL" LISTING *E32244
 "CSA" LISTING *18689

ALL DIMENSIONS = $\frac{\text{INCHES}}{\text{MM}}$



MWID = MAXIMUM WIRE
 INSULATION DIAMETER
 WIRE SIZE: 22-18 AWG
 .25-1.5 MM²

| PART NUMBER | "W" $\pm .010$ | "C" MIN. | "L" MAX. | "ID" MIN. | AVAILABLE STUD SIZES | STOCK THICKNESS |
|-----------------|----------------------|----------------------|-----------------------|---------------------|----------------------|------------------------------------|
| | $\frac{.225}{5.71}$ | $\frac{.157}{3.99}$ | $\frac{.759}{19.28}$ | $\frac{.062}{1.57}$ | 02X, 04X, 06X | $\frac{.028^{+.001}}{.71^{-.000}}$ |
| R4A10(M) | $\frac{.312}{7.92}$ | $\frac{.270}{6.86}$ | $\frac{.946}{23.26}$ | $\frac{.062}{1.57}$ | 06X, 08X, 10X | $\frac{.028^{+.001}}{.71^{-.000}}$ |
| | $\frac{.467}{11.86}$ | $\frac{.386}{9.80}$ | $\frac{1.110}{28.19}$ | $\frac{.062}{1.57}$ | 10X, 14X, 56X | $\frac{.028^{+.001}}{.71^{-.000}}$ |
| | $\frac{.534}{13.56}$ | $\frac{.552}{14.02}$ | $\frac{1.309}{33.25}$ | $\frac{.054}{1.37}$ | 10X, 14X, 56X, 38X | $\frac{.031^{\pm .001}}{.79}$ |
| | $\frac{.254}{6.45}$ | $\frac{.240}{6.10}$ | $\frac{.857}{21.77}$ | $\frac{.062}{1.57}$ | 04X, 06X, 08X | $\frac{.028^{+.001}}{.71^{-.000}}$ |

| | | | | | | | |
|---|-------|-------|-----------|--------------|----------|---|---------------------------------|
| DIMENSIONAL TOLERANCES UNLESS OTHERWISE SPECIFIED | | | REFERENCE | SCALE: NTS | DATE | TITLE: RING TONGUE TERMINAL INSULKRIMP 200-SERIES | DWG. NO. A CUSTOMER DWG. |
| FRAC. | DEC. | ANG. | | DRWN. BY: K- | 10-23-84 | | |
| \pm | \pm | \pm | | CHKD. BY: GZ | 11-9-84 | | |
| | | | | APPRD. BY: | | | |