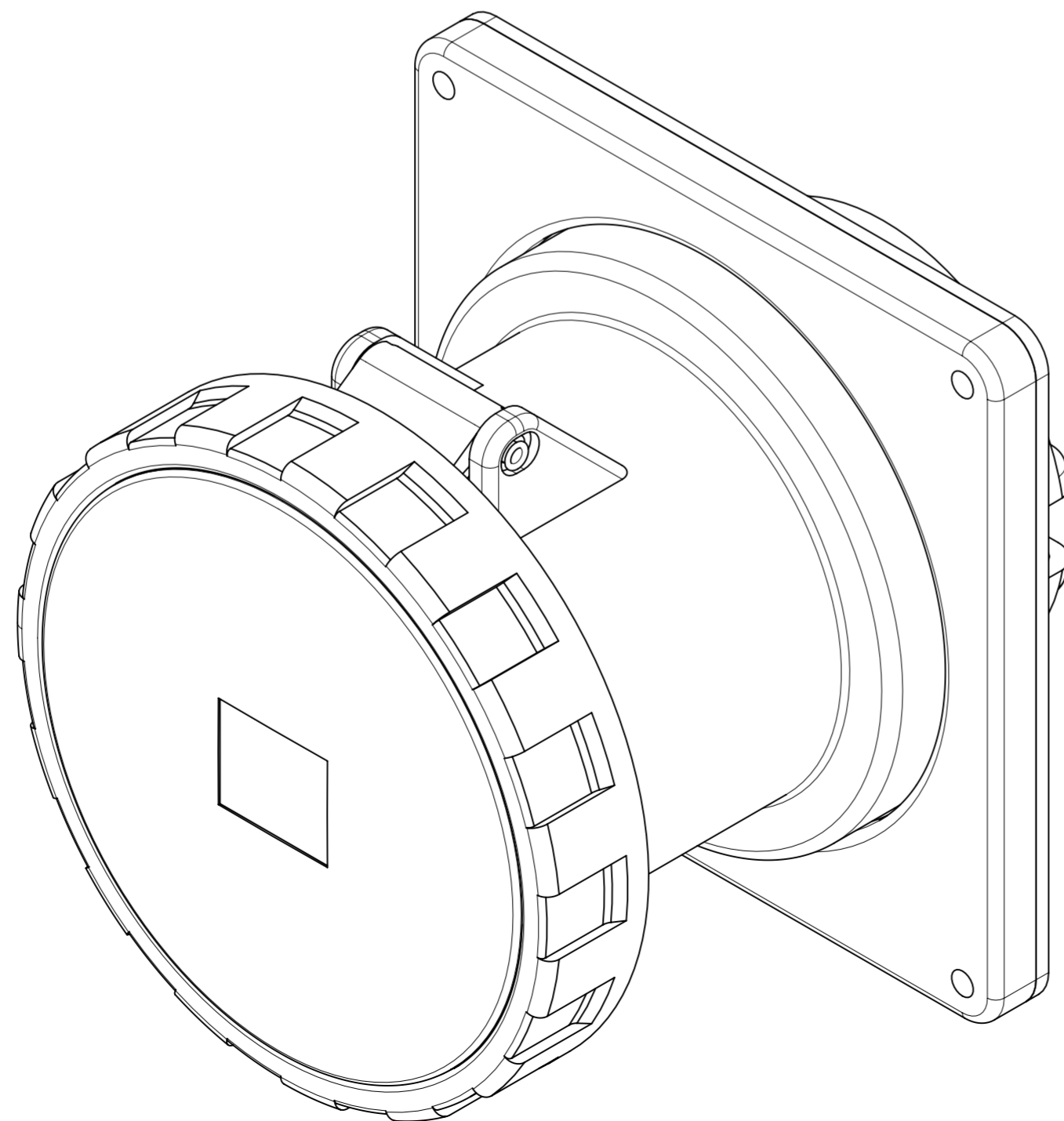


DIAMETRO FORATURA PANNELLO
 PANEL DRILLING HOLE



IL DISEGNO SI RIFERISCE ALLA POSIZIONE 6H
 DWG REFERS TO CLOCK POSITION 6H

| | | | | | | | | | |
|--|--|----|-------|-----|----------|----------|--|-------|-------------------------------|
| At the end of the law, we reserve the ownership of this design may not be copied and transfer it to third parties or competitors | Format | A2 | Scale | 1:1 | Mould N° | 1000XXXX | Drawn | SCAME | |
| | Tolerances for linear and angular dimensions without indication of specific tolerances: JS13 / UNI 286-1:2010 | | | | | | | Date | |
| | SCAME S.p.A. PARRE - (Bergamo) | | | | | | DESCRIPTION PRESA PANNELLO 3P+N+T 125A IP67 UL | CODE | Sheet 1 / 1 4003614 |