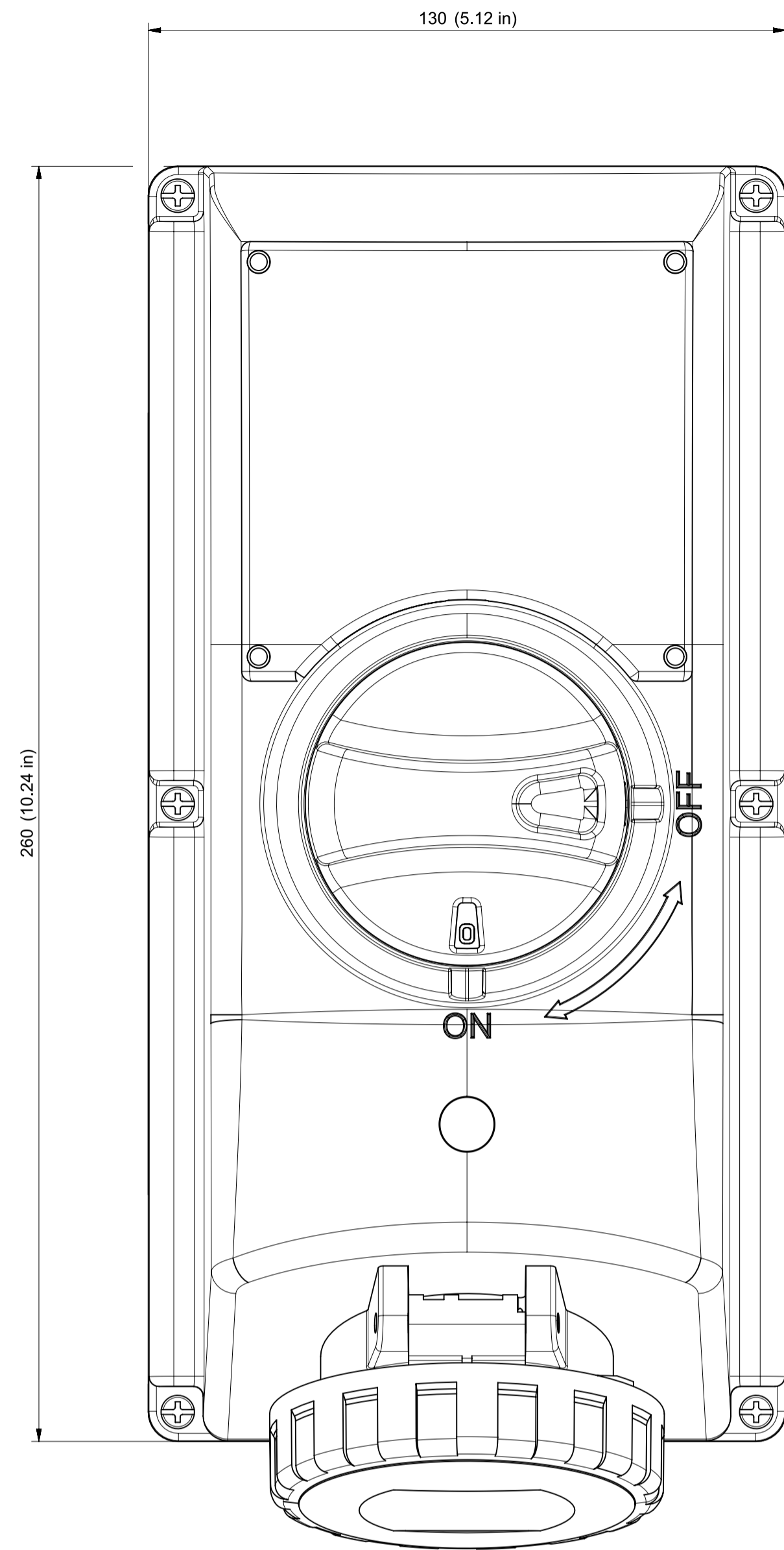
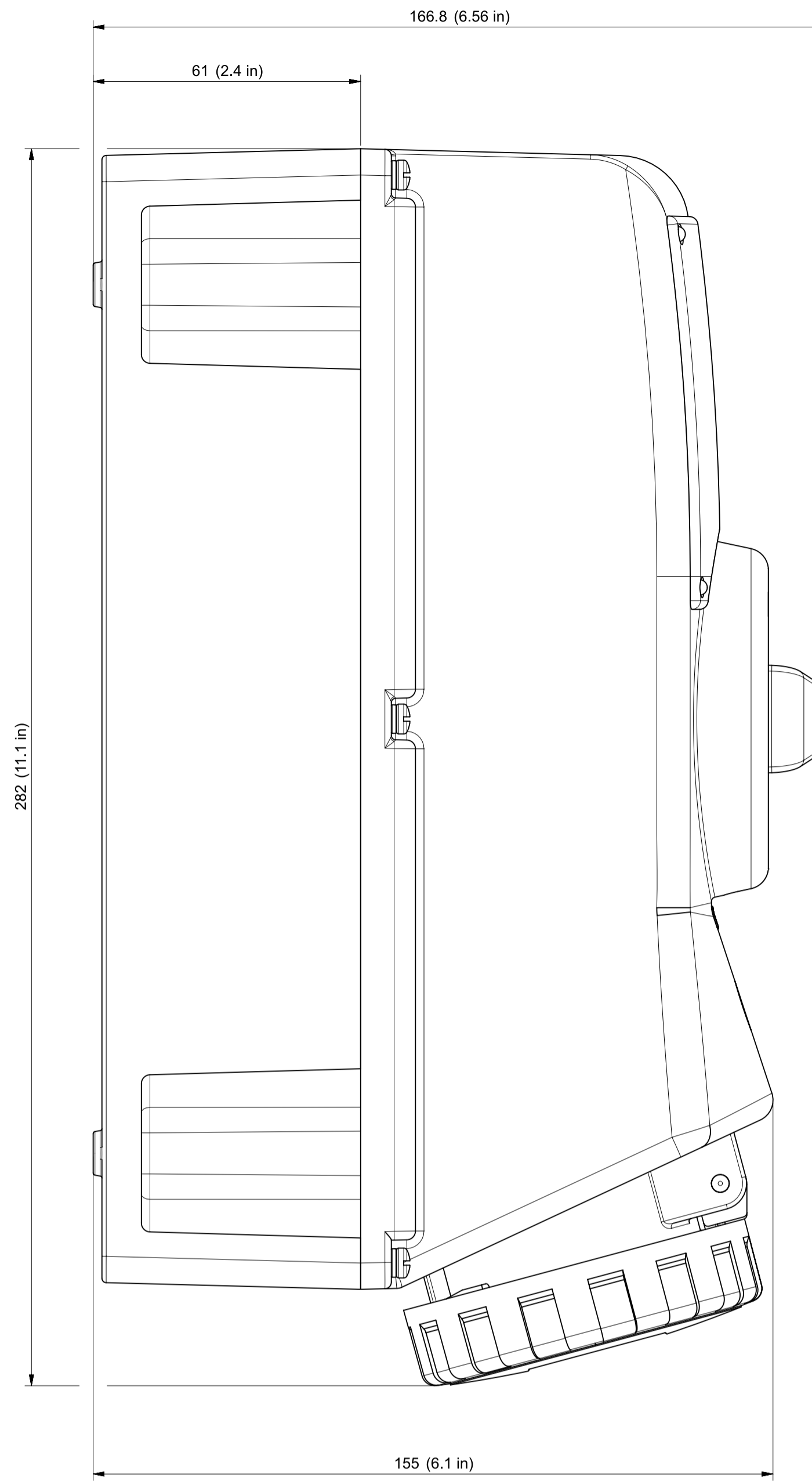


98 (3.86 in)



260 (10.24 in)

130 (5.12 in)

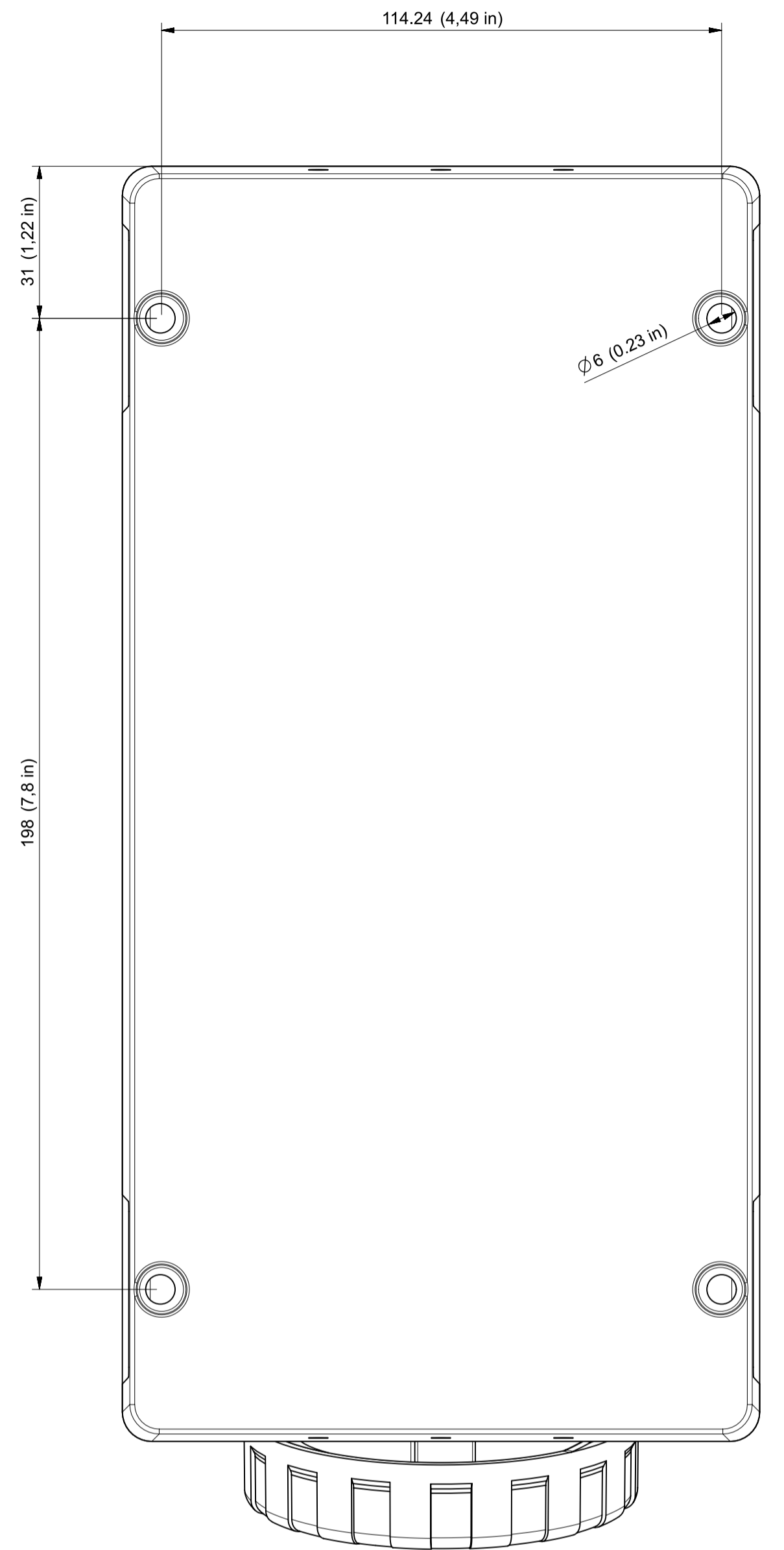


282 (11.1 in)

166.8 (6.56 in)

61 (2.4 in)

155 (6.1 in)

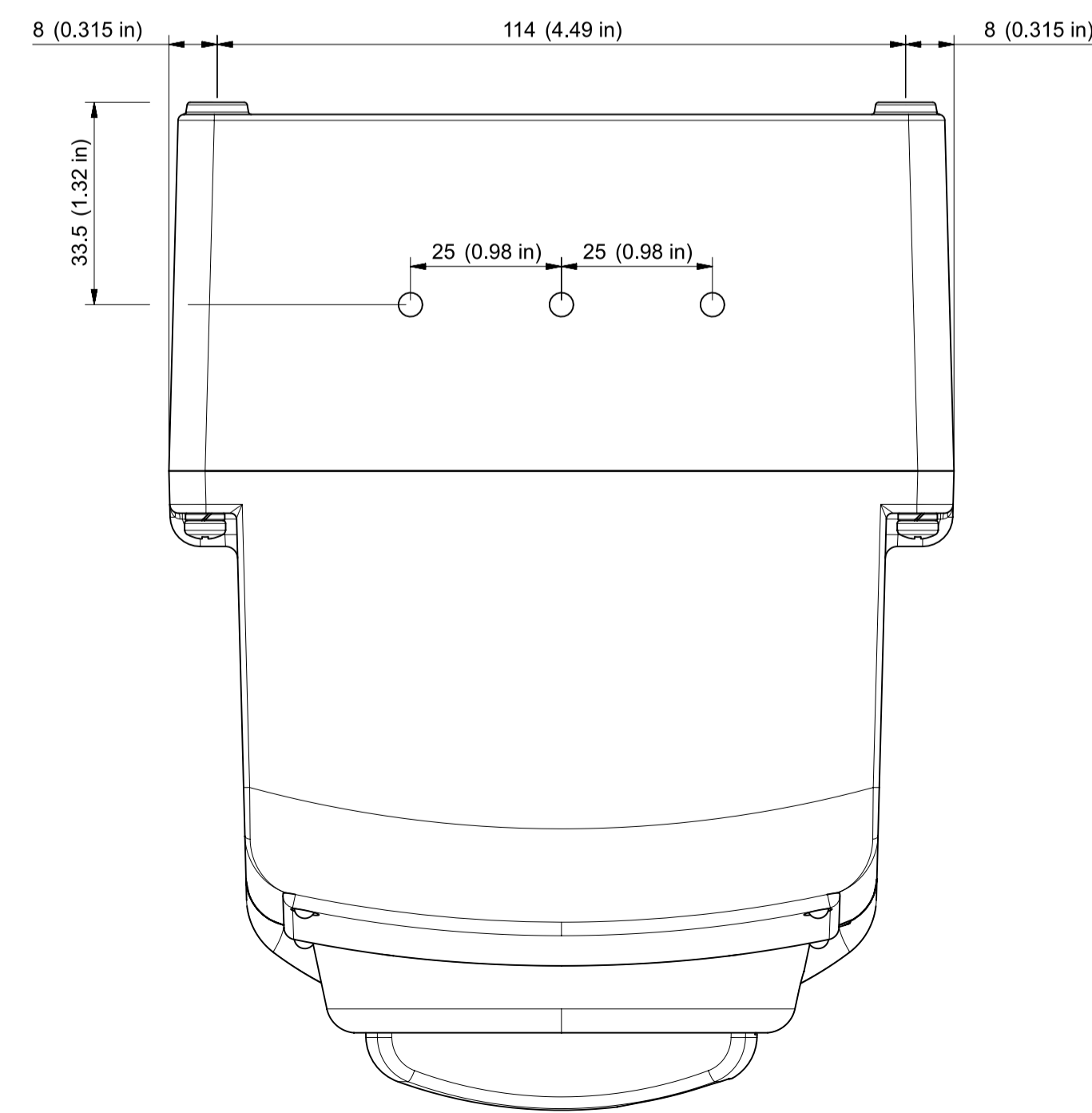


31 (1.22 in)

198 (7.8 in)

114.24 (4.49 in)

∅6 (0.23 in)



8 (0.315 in)

114 (4.49 in)

8 (0.315 in)

33.5 (1.32 in)

25 (0.98 in)

25 (0.98 in)

<p>At the end of the law, we reserve the ownership of this design may not be copied and transfer it to third parties or competitors</p> <p><b>SCAME</b> S.p.A. PARRE - (Bergamo)</p>	Format	A1	Scale	1:1	Mould N°	1000XXXX	Drawn	SCAME
	<p>Tolerances for linear and angular dimensions without indication of specific tolerances: JS13 / UNI 286-1:2010</p>							Date
<p>DESCRIPTION</p> <p><b>PRESA INTERB. GRP UL 3P+T 20A</b></p>							Approved	Sheet 1 / 1
							CODE	4005918