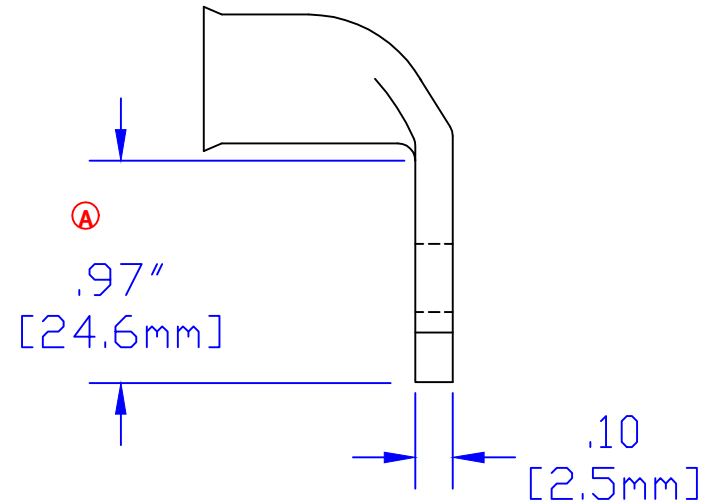
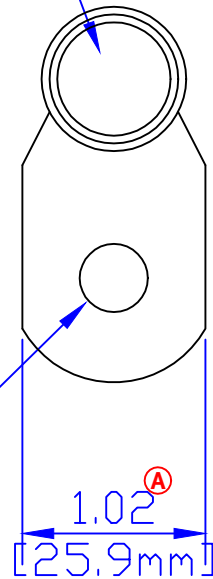


ID sized for 4/0 ga
[103mm²] cable

Hole for
3/8 [M10] Stud



elecDirect.com	TITLE 4/0 ga [103mm ²]	
	90° 3/8 [M10]	
Material & Treatment 100% Copper Tin plated	PART # 5958-050FL	
	Sheet 1	Of 1