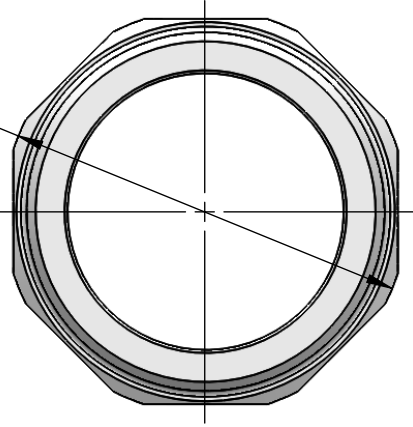


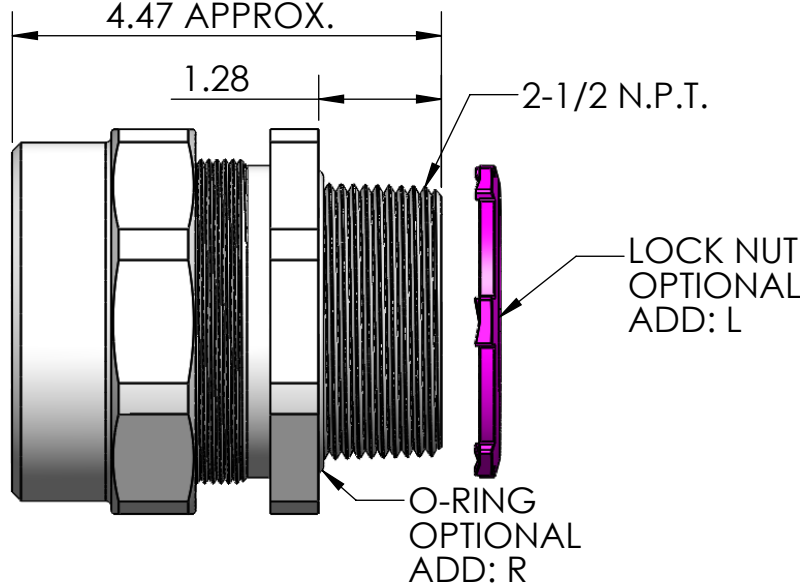
Ø 4.20



4.47 APPROX.

1.28

2-1/2 N.P.T.



ITEM NO.	PART NUMBER	DESCRIPTION	MATERIAL	QTY.
1	RSR-700-B	BODY	ALUMINUM	1
2	SRB-717 THRU SRB-739	BUSHING	NEOPRENE	1
3	WH-6-R	O-RING	BUNA-N	1
4	SW-700	WASHER	DELRIN	1
5	RSR-700-N	NUT	ALUMINUM	1
6	LN-250	LOCK NUT	ADD: L C.R.S. ZINC PLATED	1

CATALOG NUMBER	SEALING RANGE	BODY BORE
RSR-717	.938 - 1.062	2.360
RSR-723	1.314 - 1.438	2.360
RSR-725	1.438 - 1.563	2.360
RSR-729	1.688 - 1.812	2.360
RSR-731	1.812 - 1.938	2.360
RSR-733	1.938 - 2.062	2.360
RSR-735	2.062 - 2.188	2.360
RSR-737	2.188 - 2.312	2.360
RSR-739	2.312 - 2.438	2.360

REV.	DATE	CHANGE	UNLESS OTHERWISE SPECIFIED:	NAME	DATE	REMKE REMKE INDUSTRIES 310 CHADDICK DR, WHEELING, IL. 60090	
A	4/22/13	DRAWING RELEASED	DIMENSIONS ARE IN INCHES TOLERANCES: FRACTIONAL ± 1/64 ANGULAR: MACH ± 1° BEND ± 1° ONE PLACE DECIMAL ± .015 TWO PLACE DECIMAL ± .010 THREE PLACE DECIMAL ± .005	DRAWN JCN CHECKED ENG APPR. MFG APPR. Q.A.	4/13	TITLE: RSR-700 SERIES	
			INTERPRET GEOMETRIC TOLERANCING PER:	PROPRIETARY AND CONFIDENTIAL THE INFORMATION CONTAINED IN THIS DRAWING IS THE SOLE PROPERTY OF REMKE INDUSTRIES. ANY REPRODUCTION IN PART OR AS A WHOLE WITHOUT THE WRITTEN PERMISSION OF REMKE INDUSTRIES IS PROHIBITED.		SIZE	DWG. NO.
			MATERIAL ALUMINUM			A	RSR-700 ASSEMBLY
			FINISH	SCALE: 1:2		SHEET 1 OF 1	
			DO NOT SCALE DRAWING				

5

4

3

2

1