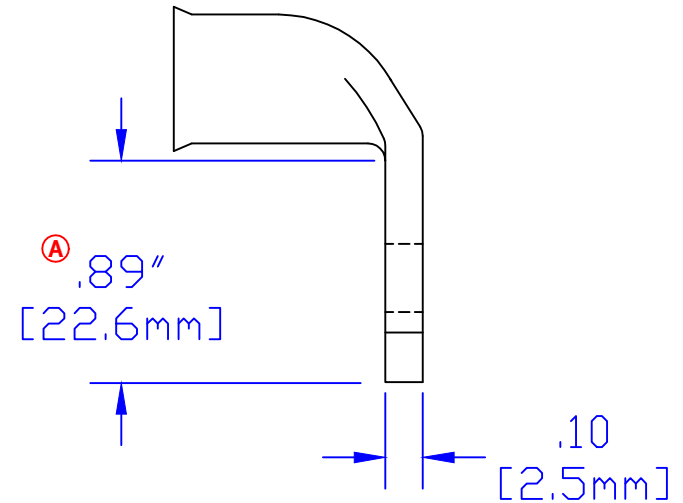
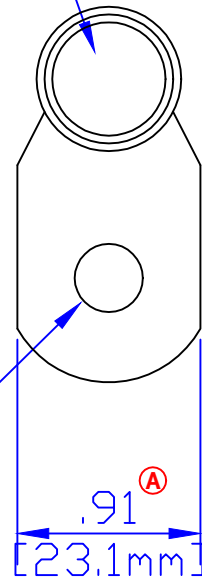


**ID Sized For 3/0 Ga  
[81mm<sup>2</sup>] Cable**

**Hole For  
1/2" [M12] Stud**



<b>elecDirect.com</b>	TITLE <b>3/0 Ga [81mm<sup>2</sup>]</b>	
	90° 1/2" [M12]	
	PART # <b>5957-050HL</b>	
Material & Treatment		
<b>100% Copper Tin Plated</b>		
	Sheet <b>1</b>	Of <b>1</b>