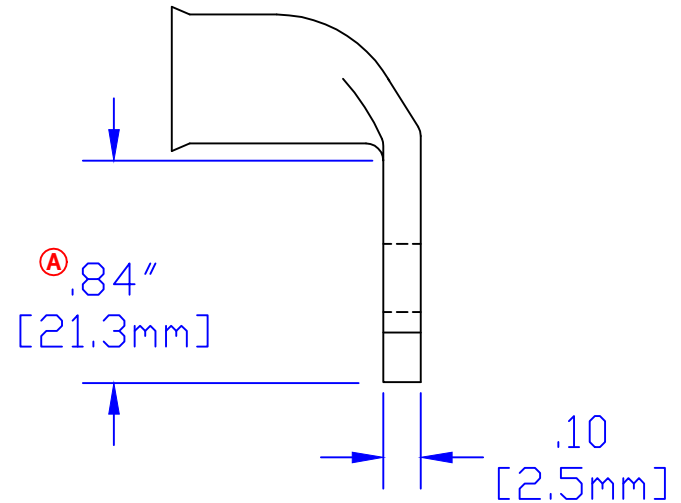
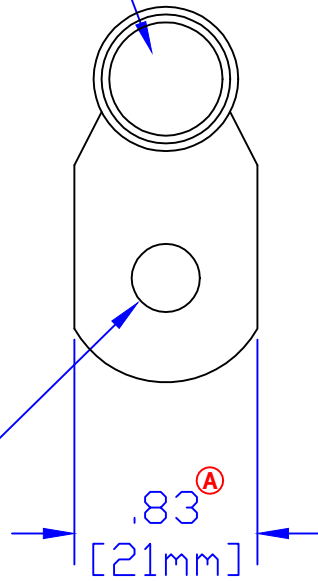


ID sized for 2/0 ga  
[62mm<sup>2</sup>] cable

Hole for  
3/8 [M10] Stud



<b>elecDirect.com</b>	TITLE 2/0 ga [62mm <sup>2</sup> ] 90° 3/8 [M10]	
	PART # 5956-050FL	
Material & Treatment 100% Copper Tin plated		
	Sheet 1	Of 1